



TL 6310 60cm Pull-out Hood with doble motor turbine and 2 speeds



LED

DESCRIPTION

60cm Pull-out Hood with doble motor turbine and 2 speeds

LIFE STYLE

Easy

COLOURS

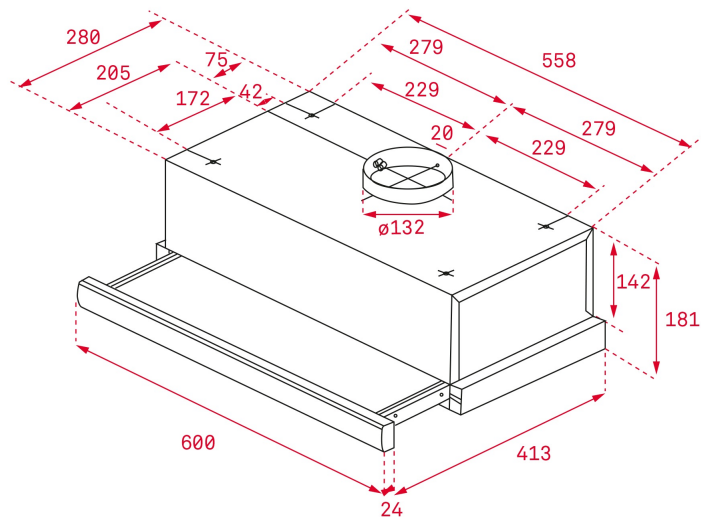


REFERENCE

REF. 40474252
EAN. 8421152145999

FEATURES

Pull-out hood
Mechanical control panel
2 speeds
Exhaust capacities:
Free Outlet, m³/h: 366
Max., m³/h: 332
Min., m³/h: 233
Noise (LwA) Max Speed, dB: 65
Noise (LwA) Min Speed, dB: 56
2 Integrated LED lamps
4 aluminium filters
Automatic Lighting
Exchangeable Front Panel



DIMENSIONS

Product height (mm): 184

Product width (mm): 600

Product depth (mm): 280/413

Product length (mm):

Net weight (Kg): 6,32

TECH SPECS

PARTICULAR CHARACTERISTICS

Type of hood: Pull-out

Style: Integrated

Certificates: CE; CB; Rohs

Ø Outlet (mm): 120

Type of inner light: LED

Inside light Consumption (W): 6

Plug type: European plug

Power rate (V): 220240

Frequency (Hz): 5060

Total hood power (W): 142

Number of motors: 1

Motor power (W): 130

Exhaust Capacity - Free Outlet (m³/h): 366

**EU REGULATION NO. 65/2014
&66/2104**

Annual energy consumption AEC kWh/annum (kWh): 71,2

Energy Efficiency Class: D

Fluid Dynamic Efficiency (FDEhood): 10,9

Fluid Dynamic Efficiency class: E

Light Efficiency (Lehood) lux/Watt: 4,9

Lighting Efficiency class: F

Grease Filtering Efficiency class: D
Air flow (Qmin) m3/h: 239
Air flow (Qmax): 339
Noise (LwA) Min Speed (dB): 56
Noise (LwA) Max Speed (dB): 65
Energy Efficiency Index (EEI): 88,1
Time increase factor: 1,6
Electric power input at best efficiency point (Wbep) W: 107,0
Nominal power of the lighting system (WL) W: 12
Average illumination of the lighting system on the cooking surface (Emiddle) Lux: 59

ACCESSORIES

Anti Return valve: Yes
Outlet extension: yes
Optional Charcoal Filter: C3C
Charcoal filter description: CHARCOAL FILTER C3C

MODELS

Number of filters: 2
Filter description: Aluminum
Control panel: Mechanical
Number of speeds: 2

PRODUCT INFORMATION SHEET - DELEGATED REGULATION (EU) 65/2014

Supplier name or trademark: TEKA
Model identifier: TL 6310
Annual Energy Consumption: 71,2
Energy Efficiency Class: D
Fluid Dynamic Efficiency: 10,9
Fluid Dynamic Efficiency class: E
Lighting Efficiency: 4,9
Lighting Efficiency class: F
Grease Filtering Efficiency class: D
Air flow (min speed normal use): 239
Air flow (max speed normal use): 339
Air flow (intensive or boost use): n.a
Airborne acoustical A-weighted sound power emissions (min speed normal use): 56
Power consumption in off mode (W): n.a
Power consumption in standby mode (W): n.a



TL 6310

ENERGY LABEL

