



**CC 485 ISLAND** 40 cm Tubular Island Hood Design with Touch Control and COPOWER motor



A Energy Class



LED



Stop Delay  
Timer

**DESCRIPTION**

40 cm Tubular Island Hood Design with Touch Control and COPOWER motor

**LIFE STYLE**

Maestro

**COLOURS**

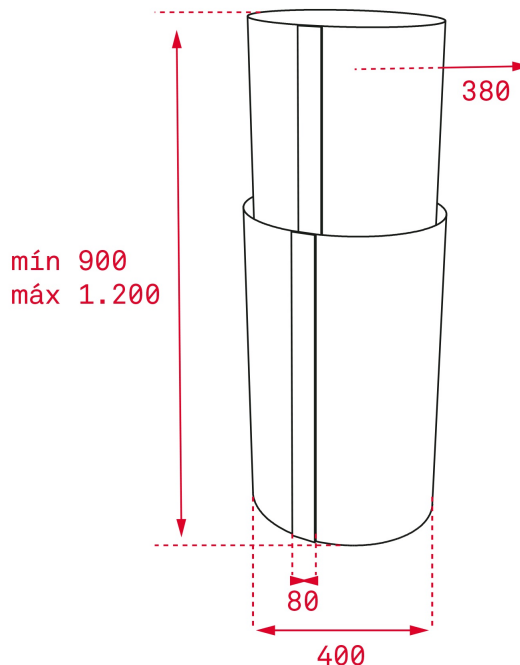


**REFERENCE**

REF. 40480330  
EAN. 8421152145869

**FEATURES**

Tubular island hood  
EcoPower motor  
Energy Efficiency class: A  
Touch control  
Digital display  
3 speeds + 1 intensive  
Exhaust capacities:  
Free Outlet, m<sup>3</sup>/h: 920  
Qboost, m<sup>3</sup>/h: 771  
Max., m<sup>3</sup>/h: 525  
Min., m<sup>3</sup>/h: 305  
Noise (LwA) Boost Speed, dB: 78  
Noise (LwA) Max Speed, dB: 72  
Noise (LwA) Min Speed, dB: 50  
2 LED lamps  
1 stainless steel filter  
Stop delay timer  
Filer saturation indicator



## DIMENSIONS

**Product height (mm):** 900/1200  
**Product width (mm):** 400  
**Product depth (mm):** 400  
**Product length (mm):**  
**Net weight (Kg):** 21,5

## TECH SPECS

### PARTICULAR CHARACTERISTICS

**Type of hood:** Island  
**Style:** Decoratives  
**Certificates:** CE; CB  
**Type of inner light:** LED  
**Inside light Consumption (W):** 3  
**Plug type:** European plug  
**Power rate (V):** 220/240  
**Frequency (Hz):** 50  
**Total hood power (W):** 286  
**Number of motors:** 1  
**Motor power (W):** 280  
**Exhaust Capacity - Free Outlet (m<sup>3</sup>/h):** 920

**EU REGULATION NO. 65/2014  
&66/2104**

**Annual energy consumption AEC kWh/annum (kWh):** 44,7  
**Energy Efficiency Class:** A  
**Fluid Dynamic Efficiency (FDEhood):** 32,2  
**Fluid Dynamic Efficiency class:** A  
**Light Efficiency (Lehood) lux/Watt:** 87,3  
**Lighting Efficiency class:** A  
**Grease Filtering Efficiency class:** C

**Air flow (Qmin) m3/h:** 305  
**Air flow (Qmax):** 525  
**Air flow (Qboost):** 771  
**Noise (LwA) Min Speed (dB):** 50  
**Noise (LwA) Max Speed (dB):** 72  
**Noise (LwA) boost speed (dB):** 78  
**Off mode Power (Po) W:** 0,00  
**Standby Power (Ps) W:** 0,74  
**Energy Efficiency Index (EEI):** 47,3  
**Time increase factor:** 0,8  
**Electric power input at best efficiency point (Wbep) W:** 138,2  
**Nominal power of the lighting system (WL) W:** 6  
**Average illumination of the lighting system on the cooking surface (Emiddle) Lux:** 524

## **ACCESSORIES**

**Anti Return valve:** Yes  
**Outlet reduction:** Yes  
**Optional Charcoal Filter:** D4C  
**Charcoal filter description:** CHARCOAL FILTER D4C  
**Conventional recirculation kit (with tube cover):** 40490148

## **MODELS**

**Number of filters:** 1  
**Filter description:** Stainless Steel filters  
**Control panel:** Touch control White display  
**Stop delay timer:** Yes  
**Filter saturation indicator:** Yes  
**Number of speeds:** 3+1



CC 485 ISLAND

ENERGY LABEL

