



**DU 985** Vertical Decorative Hood with Touch Control and ECOPOWER motor



LED



Stop Delay  
Timer

**DESCRIPTION**

Vertical Decorative Hood with Touch Control and ECOPOWER motor

**LIFE STYLE**

Maestro

**COLOURS**

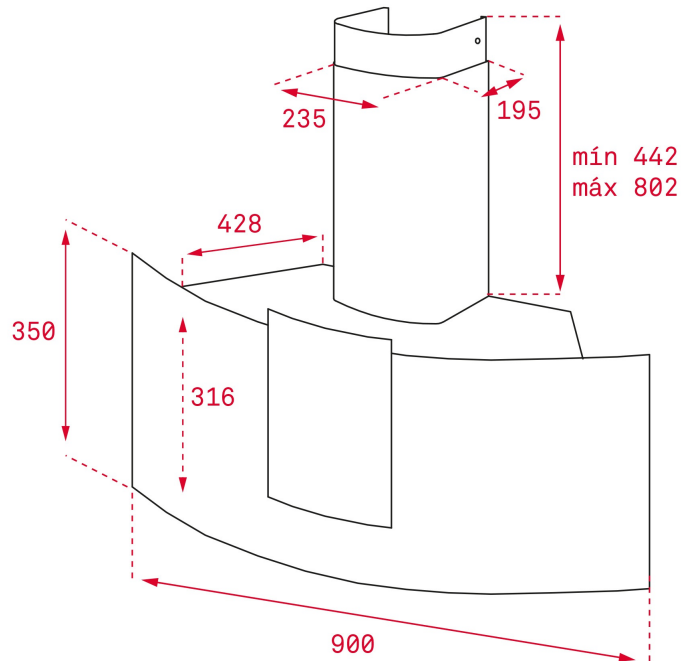


**REFERENCE**

REF. 40482610  
EAN. 8421152145821

**FEATURES**

Vertical decorative hood  
EcoPower motor  
Energy Efficiency class: A  
Touch control White display  
Operating pilot light  
3 speeds + 1 intensive  
Exhaust capacities:  
Free Outlet, m<sup>3</sup>/h: 920  
Qboost, m<sup>3</sup>/h: 807  
Max., m<sup>3</sup>/h: 631  
Min., m<sup>3</sup>/h: 315  
Noise (LwA) Boost Speed, dB: 72  
Noise (LwA) Max Speed, dB: 68  
Noise (LwA) Min Speed, dB: 56  
Noise (LwA) Min Speed dB: 48 dB  
4 LED lamps  
1 stainless steel filter  
Easy to clean inside panel  
Stop delay timer  
Filter saturation indicator



## DIMENSIONS

**Product height (mm):** 350  
**Product width (mm):** 900  
**Product depth (mm):** 450  
**Product length (mm):**  
**Net weight (Kg):** 21,5

## TECH SPECS

### PARTICULAR CHARACTERISTICS

**Certificates:** CE; CB; Rohs  
**Ø Outlet (mm):** 150  
**Type of inner light:** LED  
**Inside light Consumption (W):** 3  
**Plug type:** European plug  
**Power rate (V):** 220240  
**Frequency (Hz):** 50  
**Total hood power (W):** 292  
**Number of motors:** 1  
**Motor power (W):** 280

**EU REGULATION NO. 65/2014  
 &66/2104**

**Annual energy consumption AEC kWh/annum (kWh):** 46,2  
**Energy Efficiency Class:** A  
**Fluid Dynamic Efficiency (FDEhood):** 32,3  
**Fluid Dynamic Efficiency class:** A  
**Light Efficiency (Lehood) lux/Watt:** 73,3  
**Lighting Efficiency class:** A  
**Grease Filtering Efficiency class:** B  
**Air flow (Qmin) m3/h:** 315  
**Air flow (Qmax):** 631

**Air flow (Qboost):** 807  
**Noise (LwA) Min Speed (dB):** 56  
**Noise (LwA) Max Speed (dB):** 68  
**Noise (LwA) boost speed (dB):** 72  
**Off mode Power (Po) W:** 0,00  
**Standby Power (Ps) W:** 0,74  
**Energy Efficiency Index (EEI):** 49,9  
**Time increase factor:** 0,8  
**Air pressure at best efficiency point(Pbep) Pa:** 445  
**Electric power input at best efficiency point (Wbep) W:** 128,3  
**Nominal power of the lighting system (WL) W:** 12  
**Average illumination of the lighting system on the cooking surface (Emiddle) Lux:** 879

## ACCESSORIES

**Anti Return valve:** Yes  
**Outlet reduction:** Yes  
**Optional Charcoal Filter:** D4C  
**Charcoal filter description:** CHARCOAL FILTER D4C

## MODELS

**Number of filters:** 1  
**Filter description:** Stainless Steel filters  
**Control panel:** Touch control White display  
**Stop delay timer:** Yes  
**Filter saturation indicator:** Yes  
**Easy-clean inside panel:** Yes  
**Number of speeds:** 3+1

## PRODUCT INFORMATION SHEET - DELEGATED REGULATION (EU) 65/2014

**Supplier name or trademark:** TEKA  
**Model identifier:** DU 985  
**Annual Energy Consumption:** 46,2  
**Energy Efficiency Class:** A  
**Fluid Dynamic Efficiency:** 32,3  
**Fluid Dynamic Efficiency class:** A  
**Lighting Efficiency:** 73,3  
**Lighting Efficiency class:** A  
**Grease Filtering Efficiency class:** B  
**Air flow (min speed normal use):** 315  
**Air flow (max speed normal use):** 631  
**Air flow (intensive or boost use):** 807  
**Airborne acoustical A-weighted sound power emissions (min speed normal use):** 56  
**Airborne acoustical A-weighted sound power emissions (max speed normal use):** 68  
**Airborne acoustical A-weighted sound power emissions (intensive or boost use):** 72  
**Power consumption in off mode (W):** 0,00  
**Power consumption in standby mode (W):** 0,74



DU 985

ENERGY LABEL

