



DVT 685 60cm Vertical Hood with Contour Rim extraction system and Touch control display



LED



Perimeter extraction



Stop Delay Timer

DESCRIPTION

60cm Vertical Hood with Contour Rim extraction system and Touch control display

LIFE STYLE

Maestro

COLOURS



REFERENCE

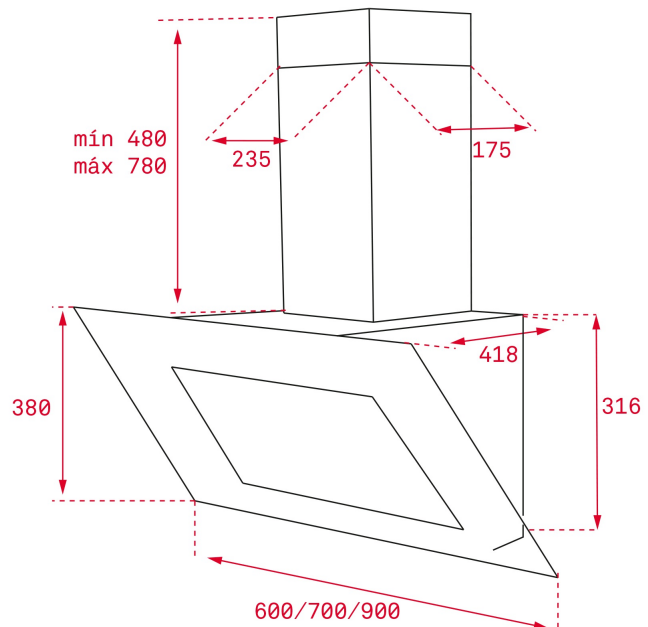
REF. 40483570
EAN. 8421152130674

FEATURES

Vertical decorative hood
Eco power
Touch control panel
Rim extraction
3 speeds + 1 intensive
Exhaust capacities:
Free Outlet (m³/h): 895
Max. (m³/h): 786
Min. (m³/h): 303
Noise (LwA) Max Speed 66 dB
Noise (LwA) Min Speed 52 dB
LED illumination
1 aluminium filter
Stop delay timer
Filter saturation indicator

DIMENSIONS

Product height (mm): 860-1160
Product width (mm): 600
Product depth (mm): 418
Product length (mm):
Net weight (Kg): 13,12



TECH SPECS

PARTICULAR CHARACTERISTICS

Type of hood: Vertical
Style: Decoratives
Certificates: CE; CB
Ø Outlet (mm): 150
Type of inner light: LED
Inside light Consumption (W): 3
Plug type: European plug
Power rate (V): 220240
Frequency (Hz): 50
Total hood power (W): 286
Number of motors: 1
Motor power (W): 280
Exhaust Capacity - Free Outlet (m3/h): 895

**EU REGULATION NO. 65/2014
&66/2104**

Annual energy consumption AEC kWh/annum (kWh): 51,1
Energy Efficiency Class: A
Fluid Dynamic Efficiency (FDEhood): 32,3
Fluid Dynamic Efficiency class: A
Light Efficiency (Lehood) lux/Watt: 69,8
Lighting Efficiency class: A

Grease Filtering Efficiency class: G
Air flow (Qmin) m3/h: 303
Air flow (Qmax): 599
Air flow (Qboost): 786
Noise (LwA) Min Speed (dB): 52
Noise (LwA) Max Speed (dB): 66
Noise (LwA) boost speed (dB): 71
Off mode Power (Po) W: 0,00
Standby Power (Ps) W: 0,74
Energy Efficiency Index (EEI): 47,9
Time increase factor: 0,8
Electric power input at best efficiency point (Wbep) W: 160,1
Nominal power of the lighting system (WL) W: 6
Average illumination of the lighting system on the cooking surface (Emiddle) Lux: 419

ACCESSORIES

Anti Return valve: Yes
Outlet reduction: Yes
Optional Charcoal Filter: D4C
Charcoal filter description: CHARCOAL FILTER D4C
Conventional recirculation kit (with tube cover): 40490146

MODELS

Number of filters: 1
Filter description: Glass panel; aluminum filter below
Control panel: Touch control white display
Stop delay timer: Yes
Filter saturation indicator: Yes
Number of speeds: 3+1

PRODUCT INFORMATION SHEET - DELEGATED REGULATION (EU) 65/2014

Supplier name or trademark: TEKA
Model identifier: DVT 685
Annual Energy Consumption: 51,1
Energy Efficiency Class: A
Fluid Dynamic Efficiency: 32,3
Fluid Dynamic Efficiency class: A
Lighting Efficiency: 69,8
Lighting Efficiency class: A
Grease Filtering Efficiency class: G
Air flow (min speed normal use): 303
Air flow (max speed normal use): 599
Air flow (intensive or boost use): 786
Airborne acoustical A-weighted sound power emissions (min speed normal use): 52
Airborne acoustical A-weighted sound power emissions (max speed normal use): 66
Airborne acoustical A-weighted sound power emissions (intensive or boost use): 71
Power consumption in off mode (W): 0,00
Power consumption in standby mode (W): 0,74



DVT 685

ENERGY LABEL

