



**DSH 785** 70cm Decorative Hood with Touch Control display and ECOPOWER motor



LED



Stop Delay  
Timer

**DESCRIPTION**

70cm Decorative Hood with Touch Control display and ECOPOWER motor

**LIFE STYLE**

Total

**COLOURS**



**REFERENCE**

REF. 40484201  
EAN. 8421152157343

**FEATURES**

Backlit electronic controls

Digital Display

LED Lighting Bar

Three speeds + intensive

Selected speed digital indicator

Aspiration timer

Stainless steel decorative filters

Double turbine armored motor EcoPower

Non-Return Valve

Extraction capacities (\*): min. 305 m<sup>3</sup> / h – max. 735 m<sup>3</sup> / h

Sound power (\*): min. 54 dBA – max. 68dBA

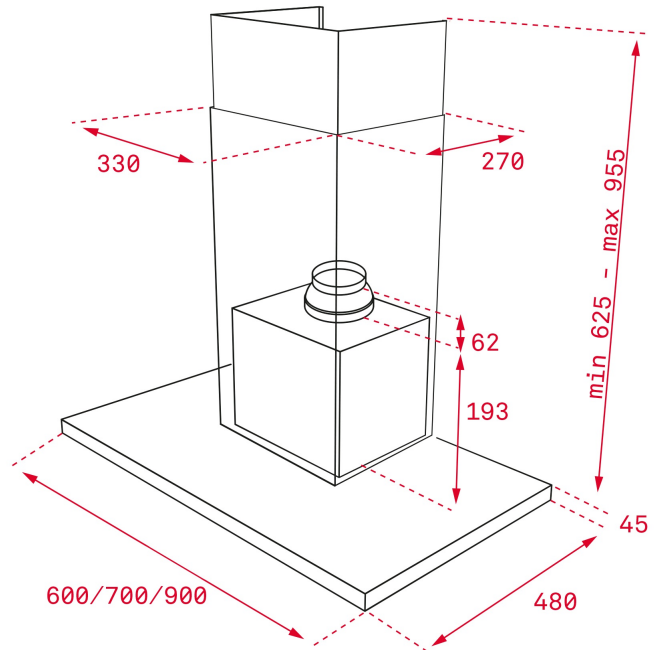
Possibility of operation in recirculation (SET 1 / N1)

Power Rating: A

(\* ) Delegated Regulation (EU) No 65/2014 of the Commission of 1 October 2013.

## DIMENSIONS

**Product height (mm):** 670-1000  
**Product width (mm):** 900  
**Product depth (mm):** 480  
**Product length (mm):**  
**Net weight (Kg):** 14,02



## TECH SPECS

### PARTICULAR CHARACTERISTICS

**Type of hood:** Horizontal  
**Style:** Decoratives  
**Certificates:** CE; CB; Rohs  
**Ø Outlet (mm):** 150  
**Type of inner light:** LED  
**Inside light Consumption (W):** 6  
**Plug type:** Schuko plug  
**Power rate (V):** 220240  
**Frequency (Hz):** 50  
**Total hood power (W):** 286  
**Number of motors:** 1  
**Motor power (W):** 280  
**Exhaust Capacity - Free Outlet (m3/h):** 920

**EU REGULATION NO. 65/2014  
&66/2104**

**Annual energy consumption AEC kWh/annum (kWh):** 54,7  
**Energy Efficiency Class:** A  
**Fluid Dynamic Efficiency (FDEhood):** 31,0  
**Fluid Dynamic Efficiency class:** A  
**Light Efficiency (Lehood) lux/Watt:** 55,2  
**Lighting Efficiency class:** A

**Grease Filtering Efficiency class:** C  
**Air flow (Qmin) m3/h:** 305  
**Air flow (Qmax):** 586  
**Air flow (Qboost):** 735  
**Noise (LwA) Min Speed (dB):** 54  
**Noise (LwA) Max Speed (dB):** 68  
**Noise (LwA) boost speed (dB):** 72  
**Off mode Power (Po) W:** 0,25  
**Energy Efficiency Index (EEI):** 53,2  
**Time increase factor:** 0,9  
**Electric power input at best efficiency point (Wbep) W:** 153,1  
**Nominal power of the lighting system (WL) W:** 6  
**Average illumination of the lighting system on the cooking surface (Emiddle) Lux:** 331

## ACCESSORIES

**Anti Return valve:** Yes  
**Outlet reduction:** Yes  
**Optional Charcoal Filter:** D4C  
**Charcoal filter description:** CHARCOAL FILTER D4C  
**Conventional recirculation kit (with tube cover):** 40490147

## MODELS

**Number of filters:** 2  
**Filter description:** Stainless Steel filters  
**Control panel:** Backlit electronic control with white display  
**Stop delay timer:** Yes  
**Filter saturation indicator:** Yes  
**Number of speeds:** 3+1

## PRODUCT INFORMATION SHEET - DELEGATED REGULATION (EU) 65/2014

**Supplier name or trademark:** TEKA  
**Model identifier:** DSH 785  
**Annual Energy Consumption:** 54,7  
**Energy Efficiency Class:** A  
**Fluid Dynamic Efficiency:** 31,0  
**Fluid Dynamic Efficiency class:** A  
**Lighting Efficiency:** 55,2  
**Lighting Efficiency class:** A  
**Grease Filtering Efficiency class:** C  
**Air flow (min speed normal use):** 305  
**Air flow (max speed normal use):** 586  
**Air flow (intensive or boost use):** 735  
**Airborne acoustical A-weighted sound power emissions (min speed normal use):** 54  
**Airborne acoustical A-weighted sound power emissions (max speed normal use):** 68  
**Airborne acoustical A-weighted sound power emissions (intensive or boost use):** 72  
**Power consumption in off mode (W):** 0,25  
**Power consumption in standby mode (W):** n.a



DSH 785

ENERGY LABEL

