



DSH 985 90cm Decorative Hood with Touch Control display and ECOPOWER motor



LED



Stop Delay
Timer

DESCRIPTION

90cm Decorative Hood with Touch Control display and ECOPOWER motor

LIFE STYLE

Total

COLOURS



REFERENCE

REF. 40484202
EAN. 8421152157350



TEKA

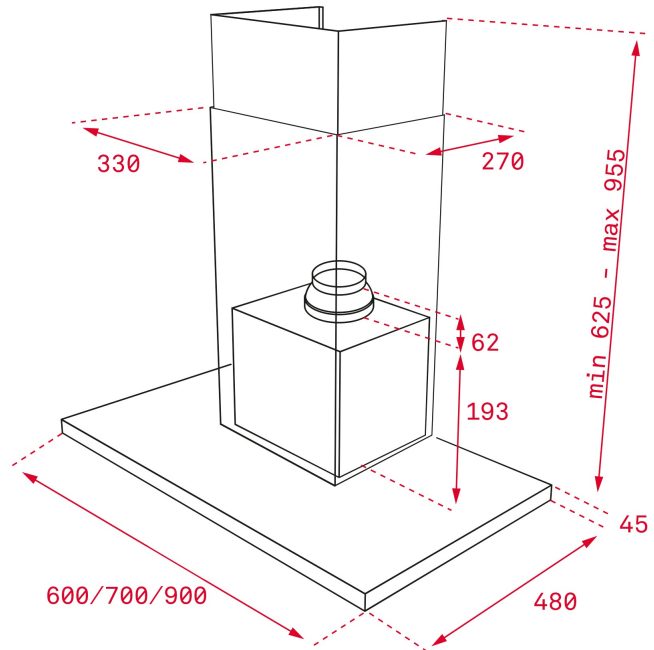
DSH 985

FEATURES

EcoPower motor
Energy Efficiency class: A
Electronic control
Digital display
3 speeds + 1 intensive
Stop delay timer
Noise(*): min. 54 dBA - máx. 68 dBA
LED Light Bar
2 Stainless steel filters
Stop delay timer
Filter saturation indicator

DIMENSIONS

Product height (mm): 670-1000
Product width (mm): 900
Product depth (mm): 480
Product length (mm):
Net weight (Kg): 15,33



TECH SPECS

PARTICULAR CHARACTERISTICS

Type of hood: Horizontal
Style: Decoratives
Certificates: CE; CB; Rohs
Ø Outlet (mm): 150
Type of inner light: LED
Inside light Consumption (W): 6
Plug type: Schuko plug
Power rate (V): 220240
Frequency (Hz): 50
Total hood power (W): 286
Number of motors: 1
Motor power (W): 280
Exhaust Capacity - Free Outlet (m3/h): 920

**EU REGULATION NO. 65/2014
&66/2104**

Annual energy consumption AEC kWh/annum (kWh): 54,7
Energy Efficiency Class: A
Fluid Dynamic Efficiency (FDEhood): 31,0
Fluid Dynamic Efficiency class: A
Light Efficiency (Lehood) lux/Watt: 55,2
Lighting Efficiency class: A

Grease Filtering Efficiency class: C
Air flow (Qmin) m3/h: 305
Air flow (Qmax): 586
Air flow (Qboost): 735
Noise (LwA) Min Speed (dB): 54
Noise (LwA) Max Speed (dB): 68
Noise (LwA) boost speed (dB): 72
Off mode Power (Po) W: 0,25
Energy Efficiency Index (EEI): 53,2
Time increase factor: 0,9
Electric power input at best efficiency point (Wbep) W: 153,1
Nominal power of the lighting system (WL) W: 6
Average illumination of the lighting system on the cooking surface (Emiddle) Lux: 331

ACCESSORIES

Anti Return valve: Yes
Outlet reduction: Yes
Optional Charcoal Filter: D4C
Charcoal filter description: CHARCOAL FILTER D4C
Conventional recirculation kit (with tube cover): 40490147

MODELS

Number of filters: 3
Filter description: Stainless Steel filters
Control panel: Backlit electronic control with white display
Stop delay timer: Yes
Filter saturation indicator: Yes
Number of speeds: 3+1

PRODUCT INFORMATION SHEET - DELEGATED REGULATION (EU) 65/2014

Supplier name or trademark: TEKA
Model identifier: DSH 985
Annual Energy Consumption: 54,7
Energy Efficiency Class: A
Fluid Dynamic Efficiency: 31,0
Fluid Dynamic Efficiency class: A
Lighting Efficiency: 55,2
Lighting Efficiency class: A
Grease Filtering Efficiency class: C
Air flow (min speed normal use): 305
Air flow (max speed normal use): 586
Air flow (intensive or boost use): 735
Airborne acoustical A-weighted sound power emissions (min speed normal use): 54
Airborne acoustical A-weighted sound power emissions (max speed normal use): 68
Airborne acoustical A-weighted sound power emissions (intensive or boost use): 72
Power consumption in off mode (W): 0,25
Power consumption in standby mode (W): n.a



DSH 985

ENERGY LABEL

