



DLH 786 T 70cm Decorative A+ Hood with Touch Cntrl display and ECOPOWER motor



LED



Stop Delay
Timer

DESCRIPTION

70cm Decorative A+ Hood with Touch Cntrl display and ECOPOWER motor

LIFE STYLE

Maestro

COLOURS



REFERENCE

REF. 40487181
EAN. 8421152157435

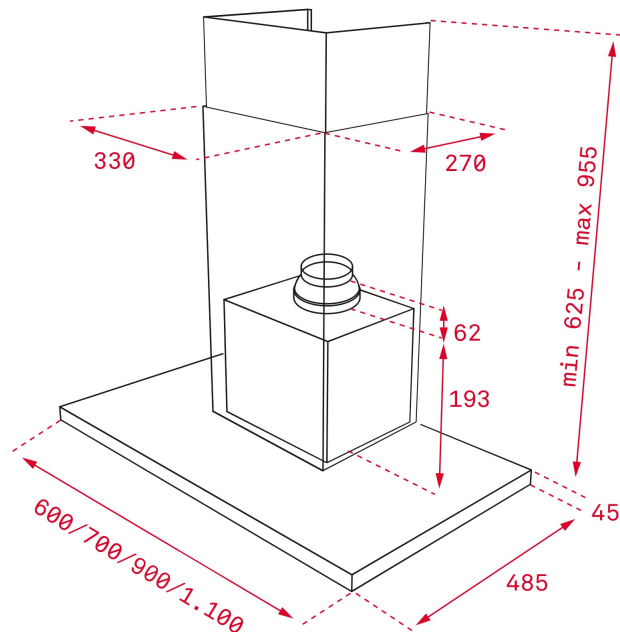


TEKA

DLH 786 T

FEATURES

Decorative hood
EcoPower motor
Energy Efficiency class: A+
Touch control panel with white display
3 speeds + 1 intensive
Exhaust capacities(*): min. 303 m³/h – máx. 701 m³/h
Noise(*): min. 53 dBA – máx. 69 dBA
1 LED BAR
Stainless steel filters
Filter saturation indicator
Possibility of recirculation (SET D1CTP)



DIMENSIONS

Product height (mm): 670-1000

Product width (mm): 700

Product depth (mm): 480

Product length (mm):

Net weight (Kg): 14,02

TECH SPECS

PARTICULAR CHARACTERISTICS

Type of hood: Horizontal

Style: Decoratives

Certificates: CE; CB; Rohs

Ø Outlet (mm): 150

Type of inner light: LED

Inside light Consumption (W): 6

Plug type: Schuko plug

Power rate (V): 220240

Frequency (Hz): 50

Total hood power (W): 271

Number of motors: 1

Motor power (W): 265

Exhaust Capacity - Free Outlet (m³/h): 920

**EU REGULATION NO. 65/2014
&66/2104**

Annual energy consumption AEC kWh/annum (kWh): 40,7

Energy Efficiency Class: A+

Fluid Dynamic Efficiency (FDEhood): 35,3

Fluid Dynamic Efficiency class: A

Light Efficiency (Lehood) lux/Watt: 55,2

Lighting Efficiency class: A

Grease Filtering Efficiency class: C
Air flow (Qmin) m3/h: 303
Air flow (Qmax): 584
Air flow (Qboost): 701
Noise (LwA) Min Speed (dB): 53
Noise (LwA) Max Speed (dB): 69
Noise (LwA) boost speed (dB): 72
Off mode Power (Po) W: 0,25
Energy Efficiency Index (EEI): 42,0
Time increase factor: 0,7
Electric power input at best efficiency point (Wbep) W: 142,2
Nominal power of the lighting system (WL) W: 6
Average illumination of the lighting system on the cooking surface (Emiddle) Lux: 331

ACCESSORIES

Anti Return valve: Yes
Outlet reduction: Yes
Optional Charcoal Filter: D1C
Charcoal filter description: CHARCOAL FILTER D1C
Conventional recirculation kit (with tube cover): 40490150

MODELS

Number of filters: 2
Filter description: Stainless Steel filters
Control panel: Touch control Glas front White display
Stop delay timer: Yes
Filter saturation indicator: Yes
Number of speeds: 3+1

PRODUCT INFORMATION SHEET - DELEGATED REGULATION (EU) 65/2014

Supplier name or trademark: TEKA
Model identifier: DLH 786 T
Annual Energy Consumption: 40,7
Energy Efficiency Class: A+
Fluid Dynamic Efficiency: 35,3
Fluid Dynamic Efficiency class: A
Lighting Efficiency: 55,2
Lighting Efficiency class: A
Grease Filtering Efficiency class: C
Air flow (min speed normal use): 303
Air flow (max speed normal use): 584
Air flow (intensive or boost use): 701
Airborne acoustical A-weighted sound power emissions (min speed normal use): 53
Airborne acoustical A-weighted sound power emissions (max speed normal use): 69
Airborne acoustical A-weighted sound power emissions (intensive or boost use): 72
Power consumption in off mode (W): 0,25
Power consumption in standby mode (W): n.a



DLH 786 T

ENERGY LABEL

