



DLH 1186 T 120cm Decorative A+ Hood with Touch Cntrl display and ECOPOWER motor



LED



Stop Delay
Timer

DESCRIPTION

120cm Decorative A+ Hood with Touch Cntrl display and ECOPOWER motor

LIFE STYLE

Maestro

COLOURS

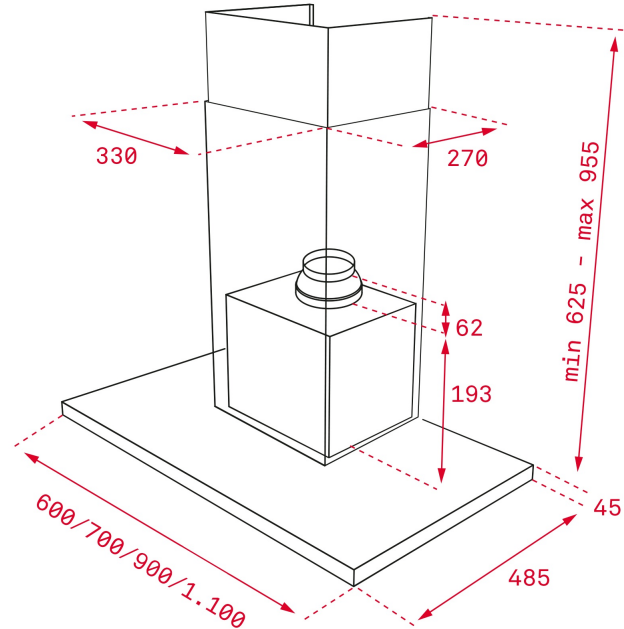


REFERENCE

REF. 40487183
EAN. 8421152157459

FEATURES

Decorative hood
Double turbine armored motor EcoPower
Power Rating: A +
Touch Control digital controls with white display
3 speeds + intensive
Selected speed digital indicator
Aspiration timer
Non-Return Valve
Extraction capacities (*): min. 303 m³ / h – max. 701 m³ / h
Sound power (*): min. 53 dBA – max. 69 dBA
LED Lighting Bar
Stainless steel decorative filters
Filter saturation indicator light
Possibility of operation in recirculation (SET D1CTP)
(*) Delegated Regulation (EU) No 65/2014 of the Commission of 1 October 2013.



DIMENSIONS

Product height (mm): 670-1000

Product width (mm): 1100

Product depth (mm): 480

Product length (mm):

Net weight (Kg): 16,64

TECH SPECS

PARTICULAR CHARACTERISTICS

Type of hood: Horizontal

Style: Decoratives

Certificates: CE; CB; Rohs

Ø Outlet (mm): 150

Type of inner light: LED

Inside light Consumption (W): 6

Plug type: Schuko plug

Power rate (V): 220240

Frequency (Hz): 50

Total hood power (W): 271

Number of motors: 1

Motor power (W): 265

Exhaust Capacity - Free Outlet (m³/h): 920

**EU REGULATION NO. 65/2014
&66/2104**

Annual energy consumption AEC kWh/annum (kWh): 40,7

Energy Efficiency Class: A+

Fluid Dynamic Efficiency (FDEhood): 35,3

Fluid Dynamic Efficiency class: A

Light Efficiency (Lehood) lux/Watt: 49,3

Lighting Efficiency class: A

Grease Filtering Efficiency class: C
Air flow (Qmin) m3/h: 303
Air flow (Qmax): 584
Air flow (Qboost): 701
Noise (LwA) Min Speed (dB): 53
Noise (LwA) Max Speed (dB): 69
Noise (LwA) boost speed (dB): 72
Off mode Power (Po) W: 0,25
Energy Efficiency Index (EEI): 42,0
Time increase factor: 0,7
Electric power input at best efficiency point (Wbep) W: 142,2
Nominal power of the lighting system (WL) W: 6
Average illumination of the lighting system on the cooking surface (Emiddle) Lux: 296

ACCESSORIES

Anti Return valve: Yes
Outlet reduction: Yes
Optional Charcoal Filter: D1C
Charcoal filter description: CHARCOAL FILTER D1C
Conventional recirculation kit (with tube cover): 40490150

MODELS

Number of filters: 4
Filter description: Stainless Steel filters
Control panel: Touch control Glas front White display
Stop delay timer: Yes
Filter saturation indicator: Yes
Number of speeds: 3+1

PRODUCT INFORMATION SHEET - DELEGATED REGULATION (EU) 65/2014

Supplier name or trademark: TEKA
Model identifier: DLH 1186 T
Annual Energy Consumption: 40,7
Energy Efficiency Class: A+
Fluid Dynamic Efficiency: 35,3
Fluid Dynamic Efficiency class: A
Lighting Efficiency: 49,3
Lighting Efficiency class: A
Grease Filtering Efficiency class: C
Air flow (min speed normal use): 303
Air flow (max speed normal use): 584
Air flow (intensive or boost use): 701
Airborne acoustical A-weighted sound power emissions (min speed normal use): 53
Airborne acoustical A-weighted sound power emissions (max speed normal use): 69
Airborne acoustical A-weighted sound power emissions (intensive or boost use): 72
Power consumption in off mode (W): 0,25
Power consumption in standby mode (W): n.a



DLH 1186 T

ENERGY LABEL

The image shows a standard European Energy Label for a Teka DLH 986/1186 T. The label is rectangular with a blue border and contains the following information:

- Top Left:** European Union flag and the word "ENERG" in large letters, with "енергия · енергiя" below it. To the right are four small circles containing the letters Y, A, IE, and IA.
- Brand and Model:** "Teka" on the left and "DLH 986/1186 T" on the right.
- Energy Efficiency Scale:** A vertical bar on the left shows seven energy efficiency classes from A+ (green) at the top to F (red) at the bottom. A black arrow on the right points to the A+ class.
- Annual Energy Consumption:** A box on the right contains the number "41" and "kWh/annum" below it.
- Additional Metrics:** Four icons in a row at the bottom represent different metrics, each with a scale from A to G:
 - Icon 1: Fan symbol, scale A to G.
 - Icon 2: Lightbulb symbol, scale A to G.
 - Icon 3: Water droplets symbol, scale A to G.
 - Icon 4: Speaker symbol, scale 69 dB.
- Bottom Left:** Reference number "65/2014".
- Bottom Right:** Small reference number "1130267".