



**INTEGRA 965** 90cm A Built-in Decorative Hood with ECOPOWER motor



LED

**DESCRIPTION**

90cm A Built-in Decorative Hood with ECOPOWER motor

**LIFE STYLE**

Maestro

**COLOURS**



**REFERENCE**

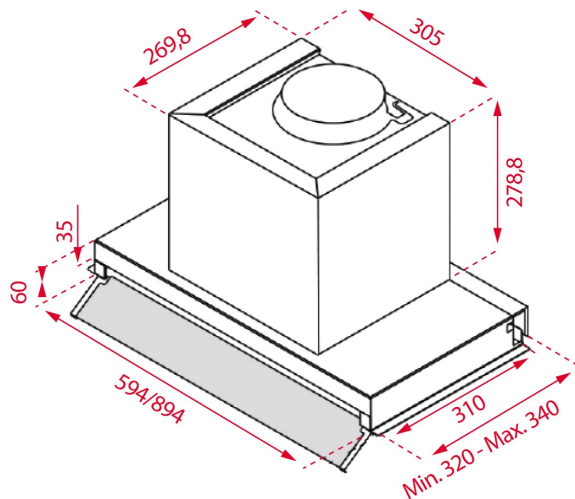
REF. 40489340  
EAN. 8421152147009



## INTEGRA 965

### FEATURES

Built in/free installation decorative hood  
EcoPower motor  
Energy Efficiency class: A  
Rotary knob (pop in- pop out)  
3 speeds  
Exhaust capacities:  
Free Outlet, m<sup>3</sup>/h: 224  
Max., m<sup>3</sup>/h: 620  
Min., m<sup>3</sup>/h: 224  
Noise (LwA) Max Speed, dB: 70  
Noise (LwA) Min Speed, dB: 48  
2 LED lamps  
2 aluminium filters



## DIMENSIONS

**Product height (mm):** 339  
**Product width (mm):** 894  
**Product depth (mm):** 310  
**Product length (mm):**  
**Net weight (Kg):** 9,5

## TECH SPECS

### PARTICULAR CHARACTERISTICS

**Type of hood:** Integrated  
**Style:** Integrated  
**Certificates:** CE; CB  
**Ø Outlet (mm):** 150  
**Type of inner light:** LED  
**Inside light Consumption (W):** 2,5  
**Plug type:** European plug  
**Power rate (V):** 220240  
**Frequency (Hz):** 50  
**Total hood power (W):** 265  
**Number of motors:** 1  
**Motor power (W):** 260  
**Exhaust Capacity - Free Outlet (m3/h):** 630

**EU REGULATION NO. 65/2014  
&66/2104**

**Annual energy consumption AEC kWh/annum (kWh):** 47,8  
**Energy Efficiency Class:** A  
**Fluid Dynamic Efficiency (FDEhood):** 31,6  
**Fluid Dynamic Efficiency class:** A  
**Light Efficiency (Lehood) lux/Watt:** 29,0  
**Lighting Efficiency class:** A  
**Grease Filtering Efficiency class:** C  
**Air flow (Qmin) m3/h:** 224  
**Air flow (Qmax):** 625

**Noise (LwA) Min Speed (dB):** 46  
**Noise (LwA) Max Speed (dB):** 69  
**Energy Efficiency Index (EEI):** 52,0  
**Time increase factor:** 0,9  
**Electric power input at best efficiency point (W<sub>bep</sub>) W:** 134,5  
**Nominal power of the lighting system (WL) W:** 5  
**Average illumination of the lighting system on the cooking surface (E<sub>middle</sub>) Lux:** 145

## ACCESSORIES

**Anti Return valve:** Yes  
**Outlet reduction:** Yes  
**Optional Charcoal Filter:** D9C  
**Charcoal filter description:** CHARCOAL FILTER D9C INTEGRA (set 2 u.)

## MODELS

**Number of filters:** 2  
**Filter description:** Aluminum filter  
**Control panel:** Rotary knob (pop inpop out)  
**Number of speeds:** 3

## PRODUCT INFORMATION SHEET - DELEGATED REGULATION (EU) 65/2014

**Supplier name or trademark:** TEKA  
**Model identifier:** INTEGRA 965  
**Annual Energy Consumption:** 47,8  
**Energy Efficiency Class:** A  
**Fluid Dynamic Efficiency:** 31,6  
**Fluid Dynamic Efficiency class:** A  
**Lighting Efficiency:** 29,0  
**Lighting Efficiency class:** A  
**Grease Filtering Efficiency class:** C  
**Air flow (min speed normal use):** 224  
**Air flow (max speed normal use):** 625  
**Air flow (intensive or boost use):** NA  
**Airborne acoustical A-weighted sound power emissions (min speed normal use):** 46  
**Airborne acoustical A-weighted sound power emissions (max speed normal use):** 69  
**Power consumption in off mode (W):** NA  
**Power consumption in standby mode (W):** NA



# INTEGRA 965

## ENERGY LABEL

