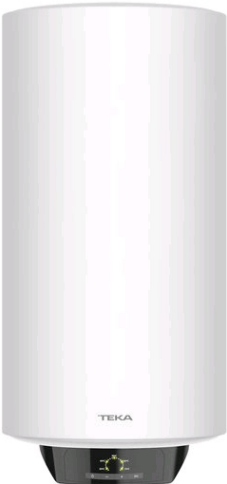




EWH 50 VE-D Smart Control water heater with temperature LED indicator and 50L capacity



Dry Heating Protection



Humidity Control



Overheating Protection

DESCRIPTION

Smart Control water heater with temperature LED indicator and 50L capacity

LIFE STYLE

Total

COLOURS



REFERENCE

REF. 42080320
EAN. 8421152149232



TEKA

EWH 50 VE-D

FEATURES

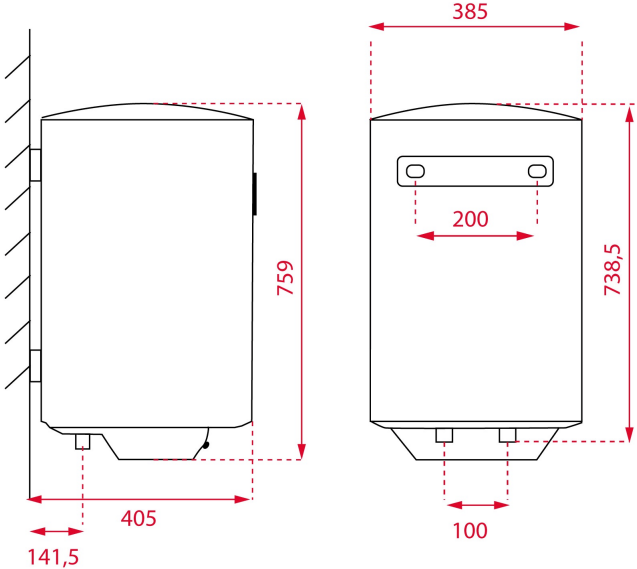
Vertical installation
SMART CONTROL
Capacity: 50 litros
Sapphire enamelled tank
LED temperature indicator
Regulation of temperature: 30^o-75^o
Pressure valve > 7,5 bar
Max. Input temperatura: 0,75 Mpa
Anti Over-pressure protection
Overheat protection
Anti Dry-heating Protection
Waterproof Grade: IPX4
Rated power output : 1.500 W
Thickness of insulation: 20 mm
Water connection: G ½
Average number of users: 2-3 personas
Energy class B



EWH 50 VE-D

DIMENSIONS

- Product height (mm):** 759
- Product width (mm):** 385
- Product depth (mm):** 385
- Product length (mm):**
- Net weight (Kg):** 16,85





EWH 50 VE-D

ENERGY LABEL

