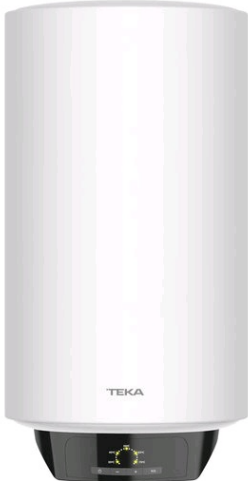




# SMART EWH 30 VE-D Smart Control water heater with temperature LED indicator and 30L capacity



Dry Heating Protection



Electronic Smart Control



Humidity Control



Overheating Protection



Slim heater

## DESCRIPTION

Smart Control water heater with temperature LED indicator and 30L capacity

## LIFE STYLE

Total

## COLOURS



## REFERENCE

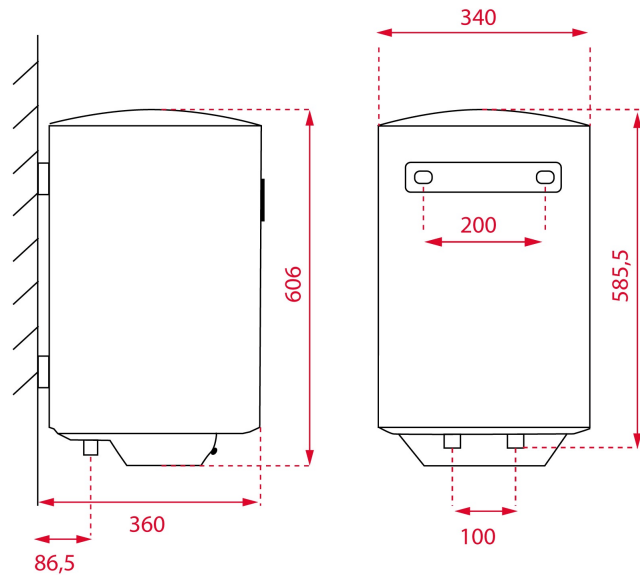
REF. 42080310  
EAN. 8421152149225

**FEATURES**

Vertical installation  
SMART CONTROL  
Capacity: 30 litros  
Sapphire enamelled tank  
LED temperature indicator  
Regulation of temperature: 30<sup>o</sup>-75<sup>o</sup>  
Pressure valve > 7,5 bar  
Max. Input temperatura: 0,75 Mpa  
Anti Over-pressure protection  
Overheat protection  
Anti Dry-heating Protection  
Waterproof Grade: IPX4  
Rated power output : 1.500 W  
Thickness of insolation: 20 mm  
Water connection: G ½  
Average number of users: 1-2 personas  
Energy class A

## DIMENSIONS

**Product height (mm):** 606  
**Product width (mm):** 340  
**Product depth (mm):** 340  
**Product length (mm):**  
**Net weight (Kg):** 13,6



## TECH SPECS

### PARTICULAR CHARACTERISITICS

**Power rate (V):** 220-240  
**Frequency (Hz):** 50/60  
**Power rate (W):** 1.500  
**Plug type:** EU  
**Type of installation:** Vertical  
**Certificates:** CE  
**Average number of users:** 1-2  
**Control panel:** ELECTRONIC  
**Number of power levels:** 1  
**Maximum input pressure (Mpa):** 0,75  
**Sapphire Enamelled Steel Tank:** Yes  
**Magnesium protection anode:** Yes  
**Heating element indicator lamp:** Yes  
**Insulation thickness (mm):** 20,00  
**Degree of protection against humidity:** IPX4  
**Protection against heating:** Yes  
**Dry heating protection:** Yes

**EU REGULATION NO.**  
**812/2013**

**Declared load profile:** S  
**Water heating energy efficiency class:** A  
**Annual energy consumption AEC kWh/annum (kWh):** 485,00  
**Sound power level L WA (dB):** 15





SMART EWH 30 VE-D

ENERGY LABEL

