



**EWH 15 VE-D** Smart Control water heater with temperature LED indicator and 15L capacity



Dry Heating Protection



Humidity Control



Overheating Protection



Slim heater

**DESCRIPTION**

Smart Control water heater with temperature LED indicator and 15L capacity

**LIFE STYLE**

Total

**COLOURS**



**REFERENCE**

REF. 42080300  
EAN. 8421152158746



TEKA

**EWH 15 VE-D**

## **FEATURES**

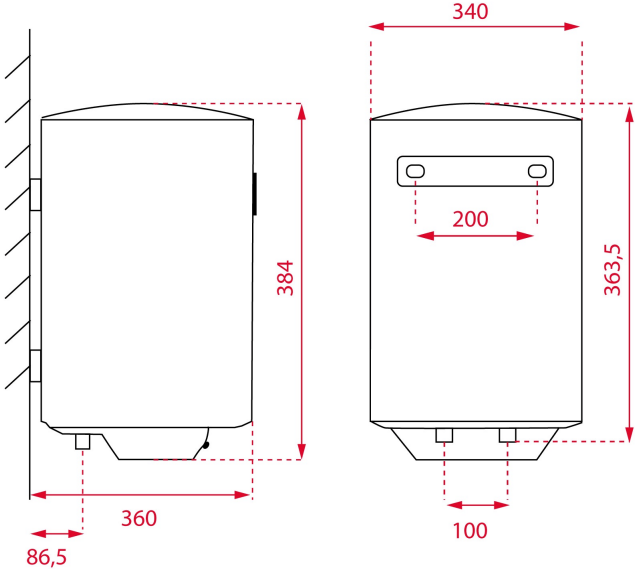
Vertical installation  
SMART CONTROL  
Capacity: 15 litros  
Sapphire enamelled tank  
LED temperature indicator  
Regulation of temperature: 30<sup>o</sup>-75<sup>o</sup>  
Pressure valve > 7,5 bar  
Max. Input temperatura: 0,75 Mpa  
Anti Over-pressure protection  
Overheat protection  
Anti Dry-heating Protection  
Waterproof Grade: IPX4  
Rated power output : 1.500 W  
Thickness of insolation: 20 mm  
Water connection: G ½  
Average number of users: 1-2 personas  
Energy class A



**EWH 15 VE-D**

**DIMENSIONS**

- Product height (mm):** 384
- Product width (mm):** 340
- Product depth (mm):** 340
- Product length (mm):**
- Net weight (Kg):** 10





**EWH 15 VE-D**

**ENERGY LABEL**

