



HLB 8400 P A+ Pyrolytic Oven with SoftClose system



70L



DualClean



Plus Extension
Telescopic
Guide



HydroClean



Pyrolysis



SurroundTemp

DESCRIPTION

A+ Pyrolytic Oven with SoftClose system

LIFE STYLE

Maestro

COLOURS



REFERENCE

REF. 111000007
EAN. 8434778007596

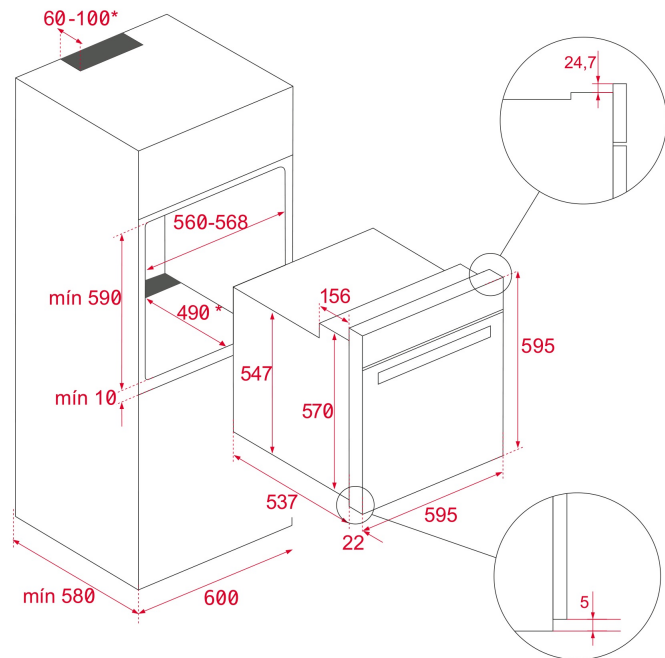


TEKA

HLB 8400 P

FEATURES

Urban Colors Edition
Multifunction SurroundTemp - 8 Cooking functions
DualClean cleaning system: Pyrolytic self-cleaning (3 levels) +
Teka HydroClean® PRO
A+ Energy class: up to 20% less consumption
Capacity, gross/net: 71/70 litres
Touch Control with an electronic timer
Quick heating
Children safety block
Automatic disconnection security system
Quadruple glazed door
1 Plus-Extension telescopic guide, 5 cooking levels
Deep enameled tray and chromed grid
Tangential ventilation with 2 speeds



DIMENSIONS

Product height (mm): 595

Product width (mm): 595

Product depth (mm): 537+22

Product length (mm):

Net weight (Kg): 34

TECH SPECS

PARTICULAR CHARACTERISTICS

Certificates: N / CE / CCA / CB

Number of cavities: 1

Type of inner light: Halogen

Inside light position: RIGHT TOP CORNER

Enamelled cavity: Yes

Function selector: 11+0

Number of cooking functions: 8

Grill function: Yes

MaxiGrill function: Yes

Bottom function: Yes

Turbo function: Yes

ECO function: Yes

Mechanical quick heating: Yes

Touch Control Programmer: Yes

Knobs type: MMX FIX

Removable chromed tray guides: Yes

Number of guide levels: 5

Easy slide telescopic guides: Yes

ELECTRIC CONNECTION

Maximum Nominal Power (W): 3552

ENERGY CONSUMPTION

Frequency (Hz): 50/60
Power rate (V): 220-240
Cable Connection Length (cm): 110
Inside light Consumption (W): 25

Energy consumption per cycle in conventional mode (kWh):
0.88
Energy consumption per cycle in fan-forced convection mode (kWh): 0,68
Bottom Heating Element (W): 1050
Grill (W): 1400
Maxi Grill (W): 2450
Traditional (W): 2450
Turbo (W): 2000
Multifunction Turbo (W): 25
Cooling Fan Motor (W): 30

SECURITY SYSTEM

Automatic disconnection when opening the door: Yes
Panel blocking system: Yes
Children safety block option: Yes
Grill protection: Yes
Anti-tip tray system: Yes
Safety Thermostat: Yes

CLEANING SYSTEM

Crystal Clean Enamel (Slippery): Yes
Hydroclean PRO: Yes
Pyrolytic: Yes
DualClean: Yes

ACCESSORIES

Deep Tray (50 mm): 1
Standard grid: 1

ENERGY EFFICIENCY

Energy Efficiency Class: A+
Energy Efficiency Index (EEI): 81

PRODUCT INFORMATION SHEET - DELEGATED REGULATION (EU) 65/2014

Supplier name or trademark: TEKA
Model identifier: HLB 8400 P
Number of cavities: 1

Cavity 1

Energy Efficiency Index: 81
Energy Efficiency Class: A+
Energy consumption per cycle (conventional mode): 0.88
Energy consumption per cycle (fan-forced convection mode):
0,68
Heat source : Electric
Volume: 71



HLB 8400 P

ENERGY LABEL

TEKA HLB 8400 P

A+++
A++
A+
A
B
C
D

A+

70 L

0.88 kWh/cycle*

0.68 kWh/cycle*

* unesat - cyclus - portion - zykhus - nrolypouasa - ciclo - tsükkel - ohjelma - ciklus - ciklus - ciklu - ciklus - cykl - ciklu - program - cykel

65/2014