



SteakMaster Multifunction Pyrolytic oven with special Grill and Cast iron grid for Steaks



A Energy Class



DualClean



Plus Extension
Telescopic
Guide



HydroClean



Pyrolysis



SoftClose



SurroundTemp

DESCRIPTION

Multifunction Pyrolytic oven with special Grill and Cast iron grid for Steaks

LIFE STYLE

Maestro

COLOURS

REFERENCE

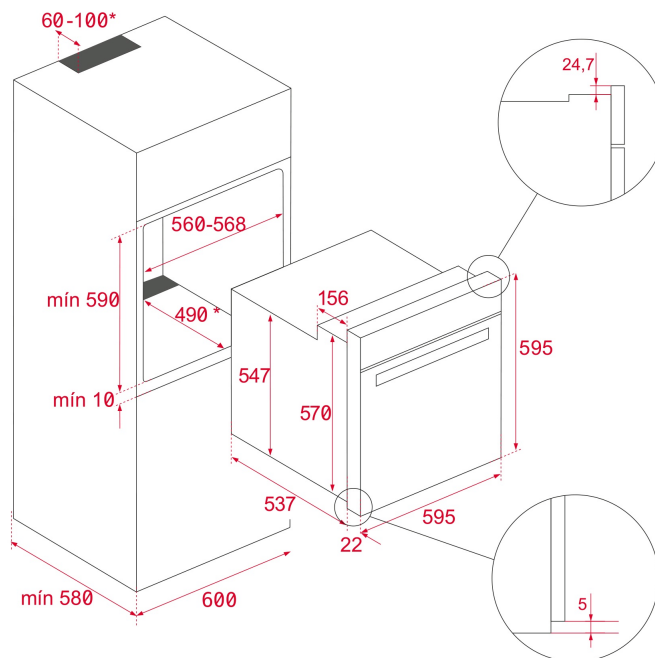
REF. 111000026



SteakMaster

FEATURES

SteakMaster Oven
Powerfull SteakGrill (700°C)
SurroundTemp Multifunction oven - 12 cooking functions
DualClean cleaning system: Pyrolytic selfcleaning (3 levels) + HydroClean® PRO
Enamel Slippery
A+ Energy class: up to 20% less consumption
Capacity, gross/net: 71/63 litres
TFT 4" true color Touch control
LED illuminated knobs
20 automatic programs for meat
Personal cook assistant: 20 international recipes
Automatic Express preheating
SlowCook: low temperature cooking
Pizza, ferment, defrosting & ECO functions
Children safety block, timer and door
Automatic disconnection security system
4 removable glazed door
SoftClose system
Full glass inner door
Plus + Full Extension telescopic guides, 5 cooking levels
Special cast iron grid for Steaks
Anti-tip deep tray and reinforced grid
Tangential ventilation Plus with 2 speeds
Optional: The SteamBox & cast aluminium tray



DIMENSIONS

Product height (mm): 595

Product width (mm): 595

Product depth (mm): 537+22

Product length (mm):

Net weight (Kg): 40

TECH SPECS

PARTICULAR CHARACTERISTICS

Certificates: N / CE / CCA / CB / EAC

Number of cavities: 1

Type of inner light: Halogen

Inside light position: Left-Right top corner

Enamelled cavity: Yes

Function selector: Electronic

Number of cooking functions: 12

Number of recipes: 20

Number of memories: 0

Grill function: Yes

MaxiGrill function: Yes

Bottom function: Yes

Turbo function: Yes

ECO function: Yes

Ferment function: Yes

Automatic quick heating: Yes

Slow Cook: Yes

Knobs type: MMX FIX ROTATIVE

Ring illuminated: Yes

Removable chromed tray guides: Yes

Number of guide levels: 5

Easy slide telescopic guides: Yes

ELECTRIC CONNECTION

SoftClose: Yes

Maximum Nominal Power (W): 3552

Frequency (Hz): 50/60

Power rate (V): 220-240

Cable Connection Length (cm): 150

Plug: Yes

Inside light Consumption (W): 25

ENERGY CONSUMPTION

Energy consumption per cycle in conventional mode (kWh):
0.87

Energy consumption per cycle in fan-forced convection mode (kWh): 0,77

Bottom Heating Element (W): 1050

Grill (W): 2400

Maxi Grill (W): 3500

Traditional (W): 2450

Multifunction Turbo (W): 25

Turnspit motor (W): 0

Cooling Fan Motor (W): 30

SECURITY SYSTEM

Automatic disconnection when opening the door: Yes

Panel blocking system: Yes

Children safety block option: Yes

Grill protection: Yes

Anti-tip tray system: Yes

Safety Thermostat: Yes

Full glazed doors: 4

CLEANING SYSTEM

Fingerprint proof stainless steel: Yes

Crystal Clean Enamel (Slippery): Yes

Hydroclean PRO: Yes

Pyrolitic: Yes

DualClean: Yes

ACCESSORIES

Baking Tray: Yes

Deep Tray (50 mm): Yes

Steak tray: 1

Reinforced grid: Yes

ENERGY EFFICIENCY

Energy Efficiency Class: A

Energy Efficiency Index (EEI): 95



SteakMaster

ENERGY LABEL

The energy label for the TEKA STEAKMASTER dishwasher is a vertical rectangular sticker with a blue border. At the top left is the European Union flag. To its right, the word "ENERG" is written in large blue letters, with "енергия" (energy) and "енергія" (energy) in smaller text below it. Further right are four circular icons: "Y U/A", "IE", and "IA". Below the flag and text is the TEKA logo and the model name "STEAKMASTER". A central graphic shows a vertical scale of energy efficiency classes from A+++ (green) at the top to D (red) at the bottom. A black arrow points to the "A" class. To the left of the scale is a small icon of a dishwasher with a power cord. Below the scale, two boxes provide specific energy consumption data: the first box shows a dishwasher icon, "63L", and "0.87 kWh/cycle*"; the second box shows a fan icon and "0.77 kWh/cycle*". At the bottom, there is a line of small text in multiple languages and the date "65/2014".