



CNL 6400 60cm Extendable hood with 2 engines and 2 speeds



LED



Stop Delay
Timer

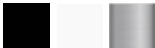
DESCRIPTION

60cm Extendable hood with 2 engines and 2 speeds

LIFE STYLE

Total

COLOURS

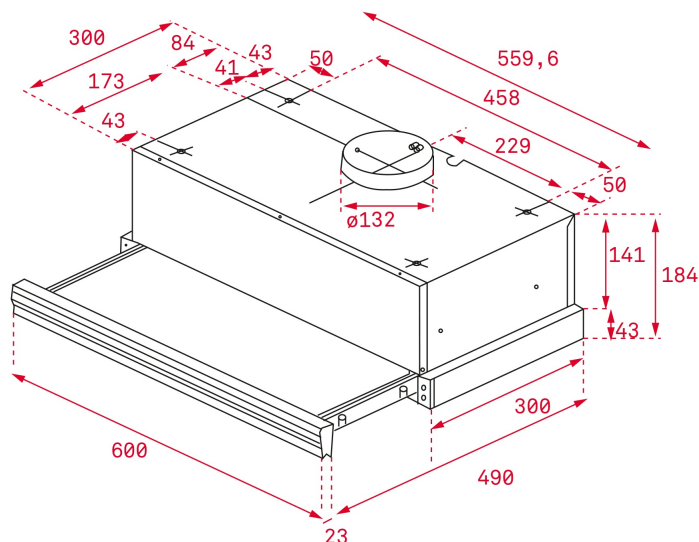


REFERENCE

REF. 40436802
EAN. 8421152146163

FEATURES

Pull-out hood
Electronic control panel
2+1 speeds
Exhaust capacities:
Free Outlet, m³/h: 432
Qboost, m³/h: 385
Max., m³/h: 224
Min., m³/h: 161
Noise (LwA) Boost Speed, dB: 70
Noise (LwA) Max Speed, dB: 61
Noise (LwA) Min Speed, dB: 56
2 LED lamps
2 stainless Steel filters
Reinforced Black Glass upper structure
Automatic Lighting
Exchangeable Front Panel
Finger Print Proof Front Panel (SS)



DIMENSIONS

Product height (mm): 184

Product width (mm): 600

Product depth (mm): 300/490

Product length (mm):

Net weight (Kg): 9,91

TECH SPECS

PARTICULAR CHARACTERISTICS

Type of hood: Pull-out

Style: Integrated

Certificates: CE; CB; Rohs

Ø Outlet (mm): 120

Type of inner light: LED

Inside light Consumption (W): 2 2

Plug type: European plug

Power rate (V): 230

Frequency (Hz): 50

Total hood power (W): 184

Number of motors: 2

Motor power (W): 180

Exhaust Capacity - Free Outlet (m³/h): 432

**EU REGULATION NO. 65/2014
&66/2104**

Annual energy consumption AEC kWh/annum (kWh): 116,5

Energy Efficiency Class: D

Fluid Dynamic Efficiency (FDEhood): 8,5

Fluid Dynamic Efficiency class: E

Light Efficiency (Lehood) lux/Watt: 28,3

Lighting Efficiency class: A

Grease Filtering Efficiency class: D
Air flow (Qmin) m3/h: 185
Air flow (Qmax): 234
Air flow (Qboost): 358
Noise (LwA) Min Speed (dB): 56
Noise (LwA) Max Speed (dB): 61
Noise (LwA) boost speed (dB): 70
Energy Efficiency Index (EEI): 98,6
Time increase factor: 1,7
Electric power input at best efficiency point (Wbep) W: 183,0
Nominal power of the lighting system (WL) W: 4
Average illumination of the lighting system on the cooking surface (Emiddle) Lux: 113

ACCESSORIES

Anti Return valve: Yes
Outlet extension: yes
Optional Charcoal Filter: C1C
Charcoal filter description: CHARCOAL FILTER C1C

MODELS

Number of filters: 2
Filter description: Stainless Steel filters
Control panel: Electronic
Stop delay timer: Yes
Automatic lighting: Yes
Number of speeds: 2+1

PRODUCT INFORMATION SHEET - DELEGATED REGULATION (EU) 65/2014

Supplier name or trademark: TEKA
Model identifier: CNL 6400
Annual Energy Consumption: 116,5
Energy Efficiency Class: D
Fluid Dynamic Efficiency: 8,5
Fluid Dynamic Efficiency class: E
Lighting Efficiency: 28,3
Lighting Efficiency class: A
Grease Filtering Efficiency class: D
Air flow (min speed normal use): 185
Air flow (max speed normal use): 234
Air flow (intensive or boost use): 358
Airborne acoustical A-weighted sound power emissions (min speed normal use): 56
Airborne acoustical A-weighted sound power emissions (intensive or boost use): 70
Power consumption in off mode (W): n.a
Power consumption in standby mode (W): n.a



CNL 6400

ENERGY LABEL

