



DoubleCook HLD 45.15 DoubleCook Multifunction Oven with two cavities



18 L



38 L



A Energy Class



HydroClean

DESCRIPTION

DoubleCook Multifunction Oven with two cavities

LIFE STYLE

Maestro

COLOURS



REFERENCE

REF. 41595025
EAN. 8421152155189



TEKA

DoubleCook HLD 45.15

FEATURES

Multifunction Surroundtemp

Energy class: A

Touch Control digital display

Upper cavity :

Capacity: 48/38 litres (net/gross)

5 cooking functions

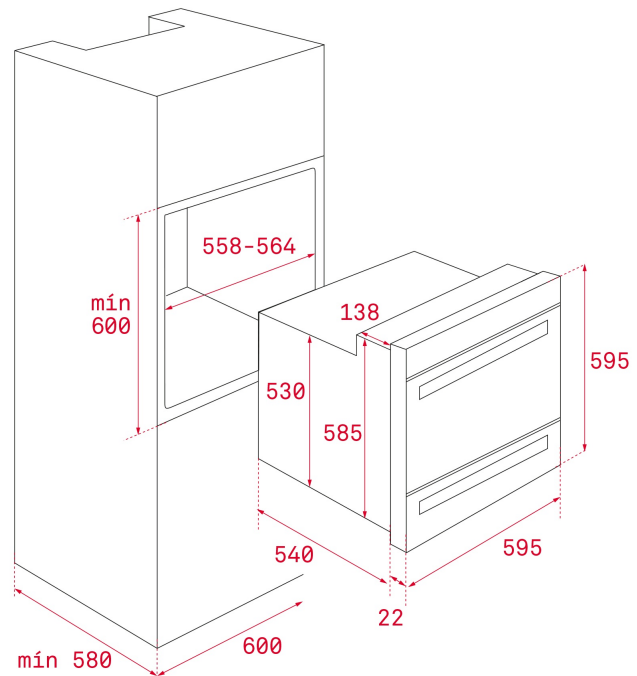
Grill

Lower cavity:

Capacity: 31/18 litres (net/gross)

4 cooking Functions

2 Grilles (upper/lower)



DIMENSIONS

Product height (mm): 595

Product width (mm): 595

Product depth (mm): 540+22

Product length (mm):

Net weight (Kg): 41

TECH SPECS

PARTICULAR CHARACTERISTICS

Certificates: CE / CCA/ CB

Number of cavities: 2

Type of inner light: Halogen

Inside light position: Rear/Side

Inside light position (lower cavity): REAR/SIDE

Inside light consumption (W) (lower cavity): 25

Enamelled cavity: Yes

Function selector: 5+0

Function selector (lower cavity): 5+0

Number of cooking functions: 5

Grill function: Yes

Bottom function: Yes

Number of cooking functions (lower cavity): 4

Touch Control Programmer: Yes

Knobs type: MMX FIX KNOB knurling

Removable chromed tray guides: Yes

Number of guide levels: 4

Drop-down grill: Yes

Number of guide levels (lower cavity): 1

Drop-down grill (lower cavity): Yes

Forced refrigeration tangential 1 speed: Yes

ELECTRIC CONNECTION

Maximum Nominal Power (W): 6148

Frequency (Hz): 50/60

Power rate (V): 220-240

Cable Connection Length (cm): 200

Inside light Consumption (W): 25

ENERGY CONSUMPTION

Energy consumption per cycle in conventional mode (kWh): 0.7

Energy consumption per cycle in fan-forced convection mode (kWh): 0,68

Bottom Heating Element (W): 1800

Bottom Heating Element (W) (lower cavity): 1050

Grill (W): 1800

Grill (Lower Cavity) (W): 1400

Traditional (W): 2450

Traditional (W) (lower cavity): 2450

Multifunction Turbo (W): 30

Cooling Fan Motor (W): 18

SECURITY SYSTEM

Panel blocking system: Yes

Children safety block option: Yes

Grill protection: Yes

Anti-tip tray system: Yes

Safety Thermostat: Yes

Full glazed doors: 2

Automatic disconnection when opening the door (lower cavity): Yes

Grill protection (lower cavity): Yes

Anti-tip tray system (lower cavity): Yes

Safety Thermostat (lower cavity): Yes

Full glass inner door (lower cavity): Yes

Full glazed doors (lower cavity): 2

CLEANING SYSTEM

Crystal Clean Enamel (Slippery): Yes

Hydroclean ECO: Yes

ACCESSORIES

Baking Tray: Yes

Deep Tray (50 mm): Yes

Reinforced grid: Yes

Reinforced grid (lower cavity): Yes

ENERGY EFFICIENCY

Energy Efficiency Class: A

Energy Efficiency Index (EEI): 95,8



DoubleCook HLD 45.15

ENERGY LABEL

ENERG Y UA
енергия - енергетика IE IA

TEKA HLD 45.15

A+++
A++
A+
A
B
C
D

38L

0.70 kWh/cycle*
0.68 kWh/cycle*

* цикъл - cyclus - portion - zklus - porção - ciclo - tsükkel - ohjelma - ciklus
ciklus - ciklu - ciklu - cyclus - cykli - ciklu - program - cycle

65/2014