



# GFT 800 Integrated Hood with 3 speeds



LED

**DESCRIPTION**

Integrated Hood with 3 speeds

**LIFE STYLE**

Easy

**COLOURS**



**REFERENCE**

REF. 40446400  
EAN. 8421152732571

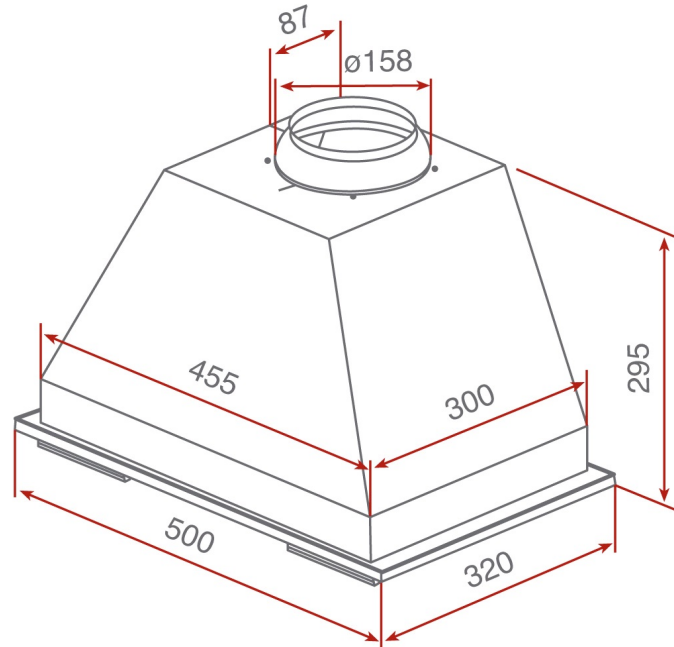


**TEKA**

**GFT 800**

**FEATURES**

Slider control panel  
Operating pilot Light  
Conventional aspiration  
3 speeds  
Exhaust capacities:  
Free Outlet (m<sup>3</sup>/h): 830  
Max. (m<sup>3</sup>/h): 653  
Min. (m<sup>3</sup>/h): 280  
Noise (LwA) Max Speed 66 dB  
Noise (LwA) Min Speed 48 dB  
Incandescent Lamps  
2 aluminium filters



## DIMENSIONS

**Product height (mm):** 295  
**Product width (mm):** 500  
**Product depth (mm):** 320  
**Product length (mm):**  
**Net weight (Kg):** 4,99

## TECH SPECS

### PARTICULAR CHARACTERISTICS

**Type of hood:** Integrated  
**Style:** Integrated  
**Certificates:** CE; CB; Rohs  
**Ø Outlet (mm):** 120  
**Type of inner light:** LED  
**Inside light Consumption (W):** 6  
**Plug type:** European plug  
**Power rate (V):** 230240  
**Frequency (Hz):** 5060  
**Total hood power (W):** 242  
**Number of motors:** 1  
**Motor power (W):** 230  
**Exhaust Capacity - Free Outlet (m3/h):** 830

**EU REGULATION NO. 65/2014  
&66/2104**

**Annual energy consumption AEC kWh/annum (kWh):** 134,1  
**Energy Efficiency Class:** D  
**Fluid Dynamic Efficiency (FDEhood):** 13,5  
**Fluid Dynamic Efficiency class:** D  
**Light Efficiency (Lehood) lux/Watt:** 9,0  
**Lighting Efficiency class:** E

**Grease Filtering Efficiency class:** B  
**Air flow (Qmin) m3/h:** 280  
**Air flow (Qmax):** 653  
**Air flow (Qboost):** 0  
**Noise (LwA) Min Speed (dB):** 48  
**Noise (LwA) Max Speed (dB):** 66  
**Noise (LwA) boost speed (dB):** 0  
**Off mode Power (Po) W:** 0,00  
**Standby Power (Ps) W:** 0,00  
**Energy Efficiency Index (EEI):** 90,7  
**Time increase factor:** 1,5  
**Electric power input at best efficiency point (Wbep) W:** 229,0  
**Nominal power of the lighting system (WL) W:** 12  
**Average illumination of the lighting system on the cooking surface (Emiddle) Lux:** 108

## **ACCESSORIES**

**Outlet extension:** Yes  
**Optional Charcoal Filter:** D4C  
**Charcoal filter description:** CHARCOAL FILTER D4C

## **MODELS**

**Number of filters:** 1  
**Filter description:** Aluminum  
**Control panel:** Slider  
**Number of speeds:** 3

## **PRODUCT INFORMATION SHEET - DELEGATED REGULATION (EU) 65/2014**

**Supplier name or trademark:** TEKA  
**Model identifier:** GFT 800  
**Annual Energy Consumption:** 134,1  
**Energy Efficiency Class:** D  
**Fluid Dynamic Efficiency:** 13,5  
**Fluid Dynamic Efficiency class:** D  
**Lighting Efficiency:** 9,0  
**Lighting Efficiency class:** E  
**Grease Filtering Efficiency class:** B  
**Air flow (min speed normal use):** 280  
**Air flow (max speed normal use):** 653  
**Air flow (intensive or boost use):** 0  
**Airborne acoustical A-weighted sound power emissions (min speed normal use):** 48  
**Airborne acoustical A-weighted sound power emissions (max speed normal use):** 66  
**Power consumption in off mode (W):** 0,00  
**Power consumption in standby mode (W):** 0,00



GFT 800

ENERGY LABEL

