



**DBB 60 HP** 60cm Pyramidal Decorative Hood with push buttons controls



LED

**DESCRIPTION**

60cm Pyramidal Decorative Hood with push buttons controls

**LIFE STYLE**

Easy

**COLOURS**



**REFERENCE**

REF. 40460470  
EAN. 8421152076149



**TEKA**

**DBB 60 HP**

**FEATURES**

Pyramidal decorative hood

Push buttons control panel

Operating Pilot Light

Conventional aspiration

3 speeds

Exhaust capacities:

Free Outlet (m<sup>3</sup>/h): 850

Max. (m<sup>3</sup>/h): 780

Min. (m<sup>3</sup>/h): 240

Noise (LwA) Max Speed 56 dB

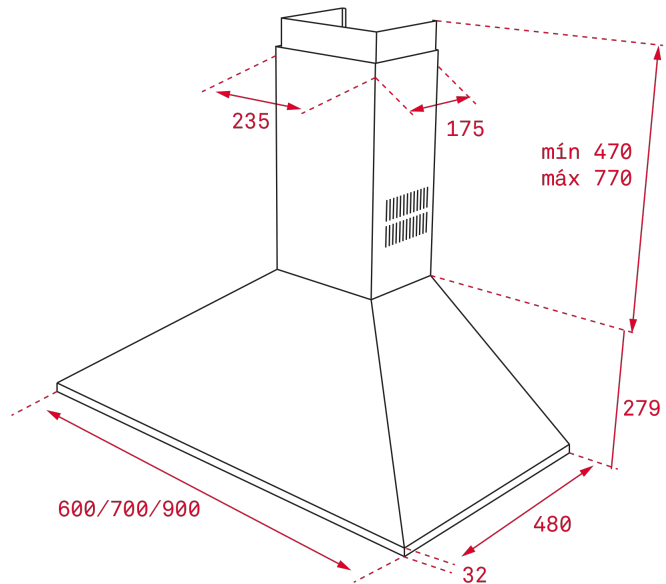
Noise (LwA) Min Speed 48 dB

Incandescent Lamps

2 aluminum filters

## DIMENSIONS

**Product height (mm):** 749-1049  
**Product width (mm):** 600  
**Product depth (mm):** 480  
**Product length (mm):**  
**Net weight (Kg):** 7,4



## TECH SPECS

### PARTICULAR CHARACTERISTICS

**Type of hood:** Pyramidal  
**Style:** Decoratives  
**Certificates:** CE; CB  
**Ø Outlet (mm):** 150  
**Type of inner light:** LED  
**Inside light Consumption (W):** 5  
**Plug type:** EU  
**Power rate (V):** 220-240  
**Frequency (Hz):** 50/60  
**Total hood power (W):** 310  
**Number of motors:** 1  
**Motor power (W):** 230  
**Exhaust Capacity - Free Outlet (m3/h):** 850

**EU REGULATION NO. 65/2014  
&66/2104**

**Annual energy consumption AEC kWh/annum (kWh):** 185,9  
**Energy Efficiency Class:** D  
**Fluid Dynamic Efficiency (FDEhood):** 14,7  
**Fluid Dynamic Efficiency class:** D  
**Light Efficiency (Lehood) lux/Watt:** 5,9  
**Lighting Efficiency class:** F

**Grease Filtering Efficiency class:** C  
**Air flow (Qmin) m3/h:** 295  
**Air flow (Qmax):** 650  
**Noise (LwA) Min Speed (dB):** 48  
**Noise (LwA) Max Speed (dB):** 67  
**Energy Efficiency Index (EEI):** 99,2  
**Time increase factor:** 1,5  
**Electric power input at best efficiency point (Wbep) W:** 232,9  
**Nominal power of the lighting system (WL) W:** 80  
**Average illumination of the lighting system on the cooking surface (Emiddle) Lux:** 65

## **ACCESSORIES**

**Anti Return valve:** Yes  
**Outlet reduction:** Yes  
**Optional Charcoal Filter:** D4C  
**Charcoal filter description:** CHARCOAL FILTER D4C  
**Conventional recirculation kit (with tube cover):** 40490146

## **MODELS**

**Number of filters:** 2  
**Filter description:** Aluminium  
**Control panel:** Rectangular Push Buttons  
**Number of speeds:** 3

## **PRODUCT INFORMATION SHEET - DELEGATED REGULATION (EU) 65/2014**

**Supplier name or trademark:** TEKA  
**Model identifier:** DBB 60 HP  
**Annual Energy Consumption:** 185,9  
**Energy Efficiency Class:** D  
**Fluid Dynamic Efficiency:** 14,7  
**Fluid Dynamic Efficiency class:** D  
**Lighting Efficiency:** 5,9  
**Lighting Efficiency class:** F  
**Grease Filtering Efficiency class:** C  
**Air flow (min speed normal use):** 295  
**Air flow (max speed normal use):** 650  
**Airborne acoustical A-weighted sound power emissions (min speed normal use):** 48  
**Airborne acoustical A-weighted sound power emissions (max speed normal use):** 67



DBB 60 HP

ENERGY LABEL

