



DBB 90 HP Wall-mounted Pyramid-shaped Extractor Hood



LED

DESCRIPTION

Wall-mounted Pyramid-shaped Extractor Hood

LIFE STYLE

Easy

COLOURS



REFERENCE

REF. 40460472
EAN. 8421152076163



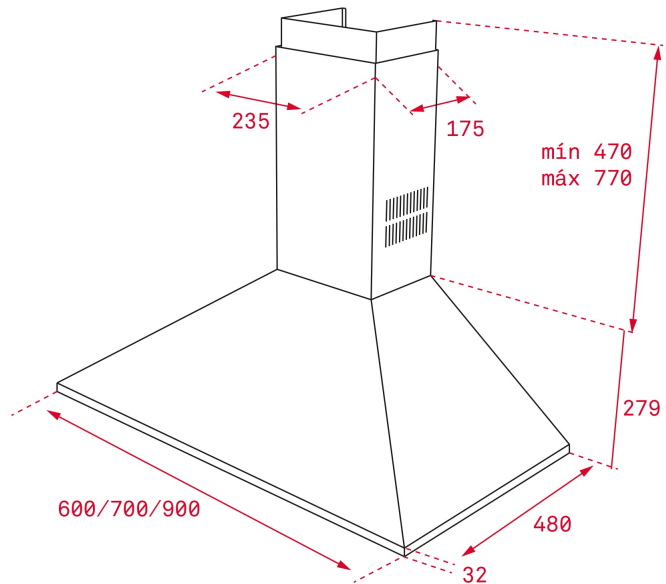
DBB 90 HP

FEATURES

Pyramidal decorative hood
Push buttons control panel
Operating Pilot Light
Conventional aspiration
3 speeds
Exhaust capacities:
Free Outlet (m³/h): 850
Max. (m³/h): 780
Min. (m³/h): 240
Noise (LwA) Max Speed 56 dB
Noise (LwA) Min Speed 48 dB
Incandescent Lamps
3 aluminum filters

DIMENSIONS

Product height (mm): 749-1049
Product width (mm): 900
Product depth (mm): 480
Product length (mm):
Net weight (Kg): 9,5



TECH SPECS

PARTICULAR CHARACTERISTICS

Type of hood: Pyramidal
Style: Decoratives
Certificates: CE; CB
Ø Outlet (mm): 150
Type of inner light: LED
Inside light Consumption (W): 5
Plug type: EU
Power rate (V): 220-240
Frequency (Hz): 50/60
Total hood power (W): 310
Number of motors: 1
Motor power (W): 230
Exhaust Capacity - Free Outlet (m³/h): 850

**EU REGULATION NO. 65/2014
&66/2104**

Annual energy consumption AEC kWh/annum (kWh): 185,9
Energy Efficiency Class: D
Fluid Dynamic Efficiency (FDEhood): 14,7
Fluid Dynamic Efficiency class: D
Light Efficiency (Lehood) lux/Watt: 5,9
Lighting Efficiency class: F

Grease Filtering Efficiency class: C
Air flow (Qmin) m3/h: 295
Air flow (Qmax): 650
Noise (LwA) Min Speed (dB): 48
Noise (LwA) Max Speed (dB): 67
Energy Efficiency Index (EEI): 99,2
Time increase factor: 1,5
Electric power input at best efficiency point (Wbep) W: 232,9
Nominal power of the lighting system (WL) W: 80
Average illumination of the lighting system on the cooking surface (Emiddle) Lux: 65

ACCESSORIES

Anti Return valve: Yes
Outlet reduction: Yes
Optional Charcoal Filter: D4C
Charcoal filter description: CHARCOAL FILTER D4C
Conventional recirculation kit (with tube cover): 40490146

MODELS

Number of filters: 3
Filter description: Aluminium
Control panel: Rectangular Push Buttons
Number of speeds: 3

PRODUCT INFORMATION SHEET - DELEGATED REGULATION (EU) 65/2014

Supplier name or trademark: TEKA
Model identifier: DBB 90 HP
Annual Energy Consumption: 185,9
Energy Efficiency Class: D
Fluid Dynamic Efficiency: 14,7
Fluid Dynamic Efficiency class: D
Lighting Efficiency: 5,9
Lighting Efficiency class: F
Grease Filtering Efficiency class: C
Air flow (min speed normal use): 295
Air flow (max speed normal use): 650
Airborne acoustical A-weighted sound power emissions (min speed normal use): 48
Airborne acoustical A-weighted sound power emissions (max speed normal use): 67



DBB 90 HP

ENERGY LABEL

