



DG3 ISLA 980 ISLAND Glass Wing Hood DG3 980 ISLAND



LED



Stop Delay
Timer

DESCRIPTION

Glass Wing Hood DG3 980 ISLAND

LIFE STYLE

Total

COLOURS

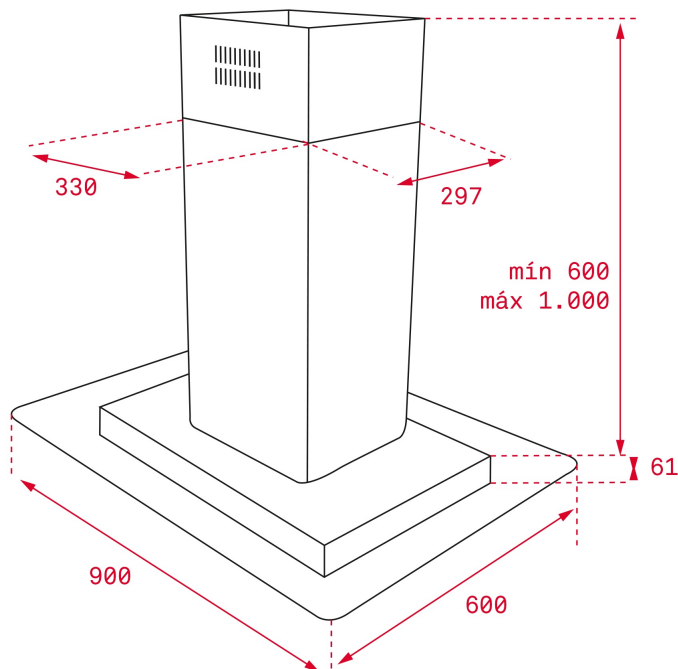


REFERENCE

REF. 40485140
EAN. 8421152145791

FEATURES

Island hood
Glass wing
EcoPower motor
Energy Efficiency class: D
Backlit electronic panel with white display
3 speeds + 1 intensive
Exhaust capacities:
Free Outlet, m³/h: 850
Qboost, m³/h: 650
Max., m³/h: 400
Min., m³/h: 295
Noise (LwA) Boost Speed, dB: 66
Noise (LwA) Max Speed, dB: 56
Noise (LwA) Min Speed, dB: 48
4 LED lamps
2 stainless steel filters
Reinforced transparent glass
Stop delay timer
Filer saturation indicator



DIMENSIONS

Product height (mm): 871-1171
Product width (mm): 900
Product depth (mm): 600
Product length (mm):
Net weight (Kg): 35,51

TECH SPECS

PARTICULAR CHARACTERISTICS

Type of hood: Island
Style: Decoratives
Certificates: CE; CB; Rohs
Ø Outlet (mm): 150
Type of inner light: LED
Inside light Consumption (W): 3
Plug type: European plug
Power rate (V): 220240
Frequency (Hz): 50/60
Total hood power (W): 242
Number of motors: 1
Motor power (W): 230
Exhaust Capacity - Free Outlet (m3/h): 850

EU REGULATION NO. 65/2014 &66/2104

Annual energy consumption AEC kWh/annum (kWh): 140,2
Energy Efficiency Class: D
Fluid Dynamic Efficiency (FDEhood): 12,7
Fluid Dynamic Efficiency class: E
Light Efficiency (Lehood) lux/Watt: 58,3
Lighting Efficiency class: A

Grease Filtering Efficiency class: C
Air flow (Qmin) m3/h: 295
Air flow (Qmax): 400
Air flow (Qboost): 650
Noise (LwA) Min Speed (dB): 48
Noise (LwA) Max Speed (dB): 56
Noise (LwA) boost speed (dB): 66
Off mode Power (Po) W: 0,00
Standby Power (Ps) W: 0,56
Energy Efficiency Index (EEI): 91,1
Time increase factor: 1,5
Electric power input at best efficiency point (Wbep) W: 240,0
Nominal power of the lighting system (WL) W: 12
Average illumination of the lighting system on the cooking surface (Emiddle) Lux: 700

ACCESSORIES

Anti Return valve: Yes
Outlet reduction: Yes
Optional Charcoal Filter: D4C
Charcoal filter description: CHARCOAL FILTER D4C
Conventional recirculation kit (with tube cover): 40490145

MODELS

Number of filters: 2
Filter description: Stainless Steel filters
Control panel: Backlit electronic control with white display
Stop delay timer: Yes
Filter saturation indicator: Yes
Number of speeds: 3+1

PRODUCT INFORMATION SHEET - DELEGATED REGULATION (EU) 65/2014

Supplier name or trademark: TEKA
Model identifier: DG3 ISLA 980 ISLAND
Annual Energy Consumption: 140,2
Energy Efficiency Class: D
Fluid Dynamic Efficiency: 12,7
Fluid Dynamic Efficiency class: E
Lighting Efficiency: 58,3
Lighting Efficiency class: A
Grease Filtering Efficiency class: C
Air flow (min speed normal use): 295
Air flow (max speed normal use): 400
Air flow (intensive or boost use): 650
Airborne acoustical A-weighted sound power emissions (min speed normal use): 48
Airborne acoustical A-weighted sound power emissions (max speed normal use): 56
Airborne acoustical A-weighted sound power emissions (intensive or boost use): 66
Power consumption in off mode (W): 0,00
Power consumption in standby mode (W): 0,56

