



## DG 650 Ultraslim Wall-mounted Extractor Hood DG 650



---

### DESCRIPTION

Ultraslim Wall-mounted Extractor Hood DG 650

### LIFE STYLE

Easy

### COLOURS

### REFERENCE

REF. 40485250  
EAN. 8421152130209

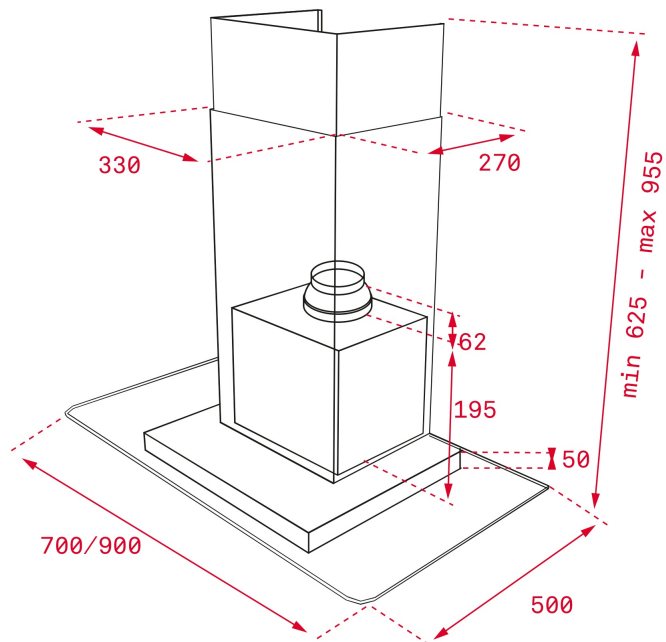


**TEKA**

**DG 650**

**FEATURES**

Ultraslim glass wing decorative hood  
Push button control panel  
Operating pilot light  
Conventional aspiration  
3 speeds  
Exhaust capacities:  
Free Outlet (m<sup>3</sup>/h): 475  
Max. (m<sup>3</sup>/h): 380  
Min. (m<sup>3</sup>/h): 234  
Noise (LwA) Max Speed 64 dB  
Noise (LwA) Min Speed 49 dB  
Integrated halogen lamps  
1 aluminium filter  
Reinforced glass upper structure



## DIMENSIONS

**Product height (mm):** 667997  
**Product width (mm):** 600  
**Product depth (mm):** 500  
**Product length (mm):**  
**Net weight (Kg):** 10,9

## TECH SPECS

### PARTICULAR CHARACTERISTICS

**Type of hood:** Glass Wing  
**Style:** Decoratives  
**Certificates:** CE; CB; Rohs  
**Ø Outlet (mm):** 150  
**Type of inner light:** Halogen  
**Inside light Consumption (W):** 20  
**Plug type:** European plug  
**Power rate (V):** 220/240  
**Frequency (Hz):** 50/60  
**Total hood power (W):** 145  
**Number of motors:** 1  
**Motor power (W):** 105  
**Exhaust Capacity - Free Outlet (m<sup>3</sup>/h):** 475

**EU REGULATION NO. 65/2014  
&66/2104**

**Annual energy consumption AEC kWh/annum (kWh):** 87,2  
**Energy Efficiency Class:** E  
**Fluid Dynamic Efficiency (FDEhood):** 6,1  
**Fluid Dynamic Efficiency class:** F  
**Light Efficiency (Lehood) lux/Watt:** 5,6  
**Lighting Efficiency class:** F

**Grease Filtering Efficiency class:** D  
**Air flow (Qmin) m3/h:** 234  
**Air flow (Qmax):** 380  
**Air flow (Qboost):** 0  
**Noise (LwA) Min Speed (dB):** 49  
**Noise (LwA) Max Speed (dB):** 64  
**Noise (LwA) boost speed (dB):** 0  
**Off mode Power (Po) W:** 0,00  
**Standby Power (Ps) W:** 0,00  
**Energy Efficiency Index (EEI):** 101,5  
**Time increase factor:** 1,8  
**Electric power input at best efficiency point (Wbep) W:** 88,3  
**Nominal power of the lighting system (WL) W:** 40  
**Average illumination of the lighting system on the cooking surface (Emiddle) Lux:** 222

## ACCESSORIES

**Anti Return valve:** Yes  
**Outlet reduction:** Yes  
**Optional Charcoal Filter:** D4C  
**Charcoal filter description:** CHARCOAL FILTER D4C  
**Conventional recirculation kit (with tube cover):** 40490147

## MODELS

**Number of filters:** 1  
**Filter description:** Aluminum  
**Control panel:** Rectangular Push Buttons  
**Number of speeds:** 3

## PRODUCT INFORMATION SHEET - DELEGATED REGULATION (EU) 65/2014

**Supplier name or trademark:** TEKA  
**Model identifier:** DG 650  
**Annual Energy Consumption:** 87,2  
**Energy Efficiency Class:** E  
**Fluid Dynamic Efficiency:** 6,1  
**Fluid Dynamic Efficiency class:** F  
**Lighting Efficiency:** 5,6  
**Lighting Efficiency class:** F  
**Grease Filtering Efficiency class:** D  
**Air flow (min speed normal use):** 234  
**Air flow (max speed normal use):** 380  
**Air flow (intensive or boost use):** 0  
**Airborne acoustical A-weighted sound power emissions (min speed normal use):** 49  
**Airborne acoustical A-weighted sound power emissions (max speed normal use):** 64  
**Power consumption in off mode (W):** 0,00  
**Power consumption in standby mode (W):** 0,00



DG 650

ENERGY LABEL

