



DOS 60.1 AT 60cm Wall-mounted Rustic-style Extractor Hood



LED

DESCRIPTION

60cm Wall-mounted Rustic-style Extractor Hood

LIFE STYLE

Total

COLOURS



REFERENCE

REF. 40489313
EAN. 8421152127957



TEKA

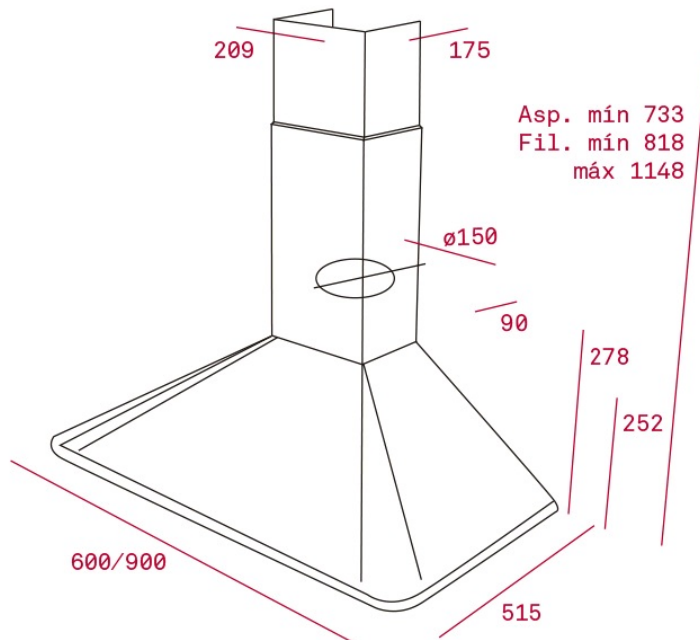
DOS 60.1 AT

FEATURES

Rustic decorative hood
Electronic control panel
Operating pilot light
Conventional aspiration
3 speeds
Exhaust capacities:
Free Outlet (m³/h): 650
Max. (m³/h): 603
Min. (m³/h): 256
Noise (LwA) Max Speed 66 dB
Noise (LwA) Min Speed 51 dB
Integrated halogen lamps
2 aluminium filters

DIMENSIONS

Product height (mm): 733-1148
Product width (mm): 600/900
Product depth (mm): 500
Product length (mm):
Net weight (Kg): 11,2



TECH SPECS

PARTICULAR CHARACTERISTICS

Type of hood: Pyramidal
Style: Decoratives
Certificates: CE; CB; Rohs
Ø Outlet (mm): 150
Type of inner light: LED
Inside light Consumption (W): 3
Plug type: European Plug
Power rate (V): 220230
Frequency (Hz): 5060
Total hood power (W): 290
Number of motors: 1
Motor power (W): 250
Exhaust Capacity - Free Outlet (m3/h): 650

**EU REGULATION NO. 65/2014
&66/2104**

Annual energy consumption AEC kWh/annum (kWh): 68.4
Energy Efficiency Class: B
Fluid Dynamic Efficiency (FDEhood): 23.8
Fluid Dynamic Efficiency class: B
Light Efficiency (Lehood) lux/Watt: 20.1
Lighting Efficiency class: B

Grease Filtering Efficiency class: D
Air flow (Qmin) m3/h: 256.0
Air flow (Qmax): 603.0
Noise (LwA) Min Speed (dB): 51
Noise (LwA) Max Speed (dB): 66
Energy Efficiency Index (EEI): 64.3
Time increase factor: 1.1
Electric power input at best efficiency point (Wbep) W: 159.5
Nominal power of the lighting system (WL) W: 6.0
Average illumination of the lighting system on the cooking surface (Emiddle) Lux: 121.0

ACCESSORIES

Anti Return valve: Yes
Outlet reduction: Yes
Optional Charcoal Filter: D5C
Charcoal filter description: CHARCOAL FILTER D5C (2 UDS included)
Conventional recirculation kit (with tube cover): 40490910

MODELS

Number of filters: 2
Filter description: Aluminum
Control panel: Electronic Control
Number of speeds: 3

PRODUCT INFORMATION SHEET - DELEGATED REGULATION (EU) 65/2014

Supplier name or trademark: TEKA
Model identifier: DOS 60.1 AT
Annual Energy Consumption: 68.4
Energy Efficiency Class: B
Fluid Dynamic Efficiency: 23.8
Fluid Dynamic Efficiency class: B
Lighting Efficiency: 20.1
Lighting Efficiency class: B
Grease Filtering Efficiency class: D
Air flow (min speed normal use): 256.0
Air flow (max speed normal use): 603.0
Air flow (intensive or boost use): n.a
Airborne acoustical A-weighted sound power emissions (min speed normal use): 51
Airborne acoustical A-weighted sound power emissions (max speed normal use): 66
Power consumption in off mode (W): n.a
Power consumption in standby mode (W): n.a



DOS 60.1 AT

ENERGY LABEL

