



# DOS 90.1 AT 90cm Wall-mounted Rustic-style Extractor Hood



LED

**DESCRIPTION**

90cm Wall-mounted Rustic-style Extractor Hood

**LIFE STYLE**

Total

**COLOURS**



**REFERENCE**

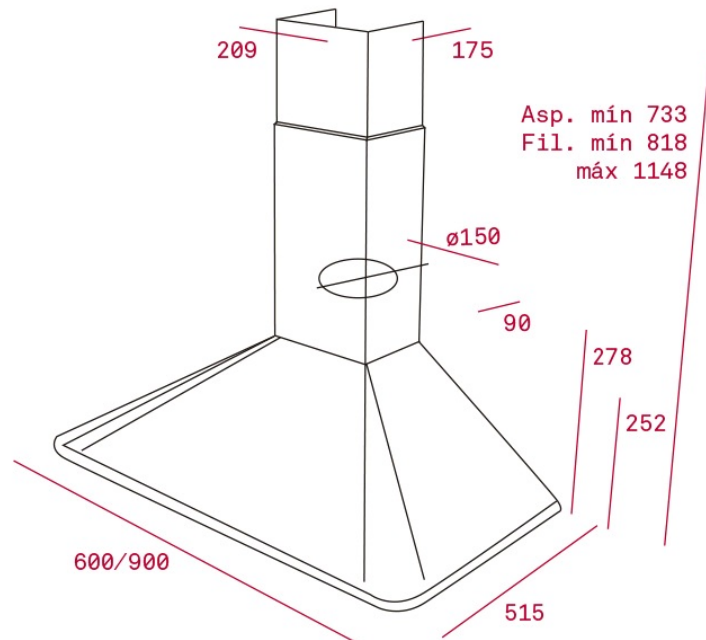
REF. 40489333  
EAN. 8421152127971

**FEATURES**

Rustic decorative hood  
Electronic control panel  
Operating pilot light  
Conventional aspiration  
3 speeds  
Exhaust capacities:  
Free Outlet (m<sup>3</sup>/h): 650  
Max. (m<sup>3</sup>/h): 603  
Min. (m<sup>3</sup>/h): 256  
Noise (LwA) Max Speed 66 dB  
Noise (LwA) Min Speed 51 dB  
Integrated halogen lamps  
2 aluminium filters

## DIMENSIONS

**Product height (mm):** 733-1148  
**Product width (mm):** 600/900  
**Product depth (mm):** 500  
**Product length (mm):**  
**Net weight (Kg):** 13,2



## TECH SPECS

### PARTICULAR CHARACTERISTICS

**Type of hood:** Pyramidal  
**Style:** Decoratives  
**Certificates:** CE; CB; Rohs  
**Ø Outlet (mm):** 150  
**Type of inner light:** LED  
**Inside light Consumption (W):** 3  
**Plug type:** European Plug  
**Power rate (V):** 220230  
**Frequency (Hz):** 5060  
**Total hood power (W):** 290  
**Number of motors:** 1  
**Motor power (W):** 250  
**Exhaust Capacity - Free Outlet (m3/h):** 650

**EU REGULATION NO. 65/2014  
&66/2104**

**Annual energy consumption AEC kWh/annum (kWh):** 68.4  
**Energy Efficiency Class:** B  
**Fluid Dynamic Efficiency (FDEhood):** 23.8  
**Fluid Dynamic Efficiency class:** B  
**Light Efficiency (Lehood) lux/Watt:** 20.1  
**Lighting Efficiency class:** B

**Grease Filtering Efficiency class:** D  
**Air flow (Qmin) m3/h:** 256.0  
**Air flow (Qmax):** 603.0  
**Noise (LwA) Min Speed (dB):** 51  
**Noise (LwA) Max Speed (dB):** 66  
**Energy Efficiency Index (EEI):** 64.3  
**Time increase factor:** 1.1  
**Electric power input at best efficiency point (Wbep) W:** 159.5  
**Nominal power of the lighting system (WL) W:** 6.0  
**Average illumination of the lighting system on the cooking surface (Emiddle) Lux:** 121.0

## ACCESSORIES

**Anti Return valve:** Yes  
**Outlet reduction:** Yes  
**Optional Charcoal Filter:** D5C  
**Charcoal filter description:** CHARCOAL FILTER D5C (2 UDS included)  
**Conventional recirculation kit (with tube cover):** 40490910

## MODELS

**Number of filters:** 2  
**Filter description:** Aluminum  
**Control panel:** Electronic Control  
**Number of speeds:** 3

## PRODUCT INFORMATION SHEET - DELEGATED REGULATION (EU) 65/2014

**Supplier name or trademark:** TEKA  
**Model identifier:** DOS 90.1 AT  
**Annual Energy Consumption:** 68.4  
**Energy Efficiency Class:** B  
**Fluid Dynamic Efficiency:** 23.8  
**Fluid Dynamic Efficiency class:** B  
**Lighting Efficiency:** 20.1  
**Lighting Efficiency class:** B  
**Grease Filtering Efficiency class:** D  
**Air flow (min speed normal use):** 256.0  
**Air flow (max speed normal use):** 603.0  
**Air flow (intensive or boost use):** n.a  
**Airborne acoustical A-weighted sound power emissions (min speed normal use):** 51  
**Airborne acoustical A-weighted sound power emissions (max speed normal use):** 66  
**Power consumption in off mode (W):** n.a  
**Power consumption in standby mode (W):** n.a



**DOS 90.1 AT**

**ENERGY LABEL**

