



QUADRO DLV 980 90cm Vertical Hood with Countour rim system extraction



LED



Perimeter extraction



Stop Delay Timer

DESCRIPTION

90cm Vertical Hood with Countour rim system extraction

LIFE STYLE

Total

COLOURS



REFERENCE

REF. 40437220
EAN. 8421152150757

FEATURES

Quadro vertical hood
Extraction rim system "Contour"
Digital control Touch Control with white display
3 speeds + Intensive
Stop delay timer
LED light bar
Saturation filters lighting indicator
Double turbine motor ECOPOWER
Exhaust capacity (*): min.278m³/h - max.701 m³/h
Sound level (*): min.42 dBA - máx.59 dBA
Recirculation function optional (SET D10CTP)

DIMENSIONS

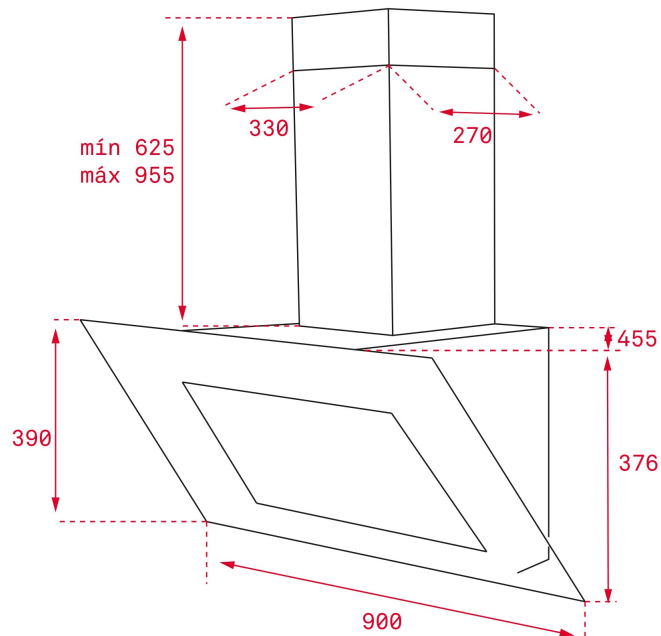
Product height (mm): 800-1200

Product width (mm): 900

Product depth (mm): 450

Product length (mm):

Net weight (Kg): 23,70



TECH SPECS

PARTICULAR CHARACTERISTICS

Type of hood: Vertical
Style: Decoratives
Certificates: CE; CB; Rohs,NOM
Ø Outlet (mm): 150
Type of inner light: LED
Inside light Consumption (W): 7
Plug type: Type B
Power rate (V): 110
Frequency (Hz): 60
Total hood power (W): 237
Number of motors: 1
Motor power (W): 230
Exhaust Capacity - Free Outlet (m3/h): 850

ACCESSORIES

Anti Return valve: Yes
Outlet reduction: Yes
Optional Charcoal Filter: D1C
Charcoal filter description: CHARCOAL FILTER D1C

MODELS

PRODUCT INFORMATION SHEET - DELEGATED REGULATION (EU) 65/2014

Number of filters: 2

Filter description: Glass panel; aluminum filter below

Control panel: Touch control

Stop delay timer: Yes

Filter saturation indicator: Yes

Time clock: Yes

Number of speeds: 3+1

Supplier name or trademark: TEKA

Model identifier: QUADRO DLV 980

Annual Energy Consumption:

Energy Efficiency Class:

Fluid Dynamic Efficiency:

Fluid Dynamic Efficiency class:

Lighting Efficiency:

Lighting Efficiency class:

Grease Filtering Efficiency:

Grease Filtering Efficiency class:

Air flow (min speed normal use):

Air flow (max speed normal use):

Air flow (intensive or boost use):

Airborne acoustical A-weighted sound power emissions (min speed normal use): 53

Airborne acoustical A-weighted sound power emissions (max speed normal use): 64

Airborne acoustical A-weighted sound power emissions (intensive or boost use): 70

Power consumption in off mode (W):

Power consumption in standby mode (W):

