



# DVF 97670 TBS 90cm Vertical decorative Hood with Fresh air function



LED



Perimeter extraction



Stop Delay Timer



Fresh AIR

## DESCRIPTION

90cm Vertical decorative Hood with Fresh air function

## LIFE STYLE

Maestro

## COLOURS

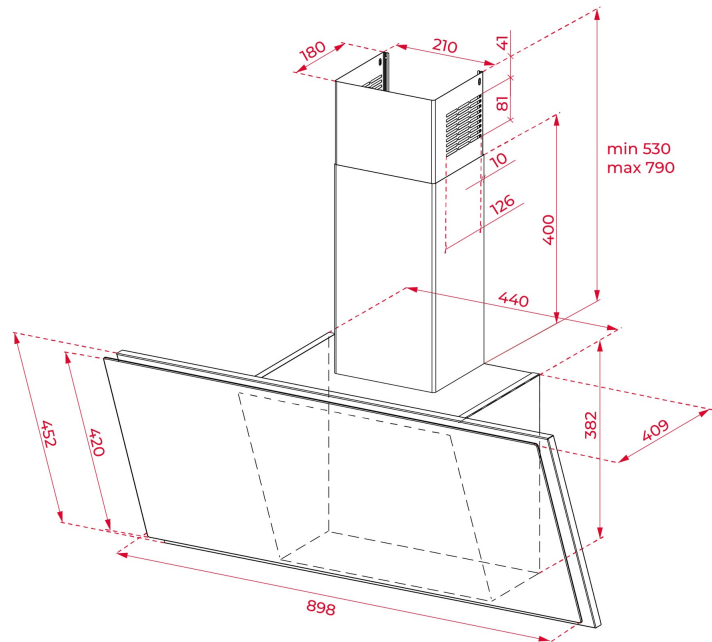


## REFERENCE

REF. 112930017  
EAN. 8434778010718

**FEATURES**

Vertical decorative hood  
Fresh air function  
Energy efficiency class: A++  
Extraction rim system "Contour"  
Touch control panel  
3 speeds + 1 intensive  
Exhaust capacities:  
Free Outlet (m<sup>3</sup>/h): 740  
Max. (m<sup>3</sup>/h): 400  
Min. (m<sup>3</sup>/h): 270  
Noise (LwA) Max Speed 59 dB  
Noise (LwA) Min Speed 53 dB  
LED illumination  
1 aluminium filter with 6 layers  
Stop delay timer  
Filter saturation indicator  
Recirculation function with or without tube cover  
Optional regenerative charcoal filters  
Installation also possible without tube cover



## DIMENSIONS

**Product height (mm):** 912-1172

**Product width (mm):** 898

**Product depth (mm):** 409

**Product length (mm):**

**Net weight (Kg):** 12,9

## TECH SPECS

### PARTICULAR CHARACTERISTICS

**Certificates:** CE; CB; EMC

**Ø Outlet (mm):** 150

**Dual Aspiration System:** Yes

**Type of inner light:** LED

**Inside light Consumption (W):** 1

**Plug type:** EU, safety class 1

**Cable Connection Length (cm):** 120 cm

**Power rate (V):** 220/240

**Frequency (Hz):** 50/60

**Total hood power (W):** 272

**Number of motors:** 1

**Motor power (W):** 270

**EU REGULATION NO. 65/2014  
&66/2104**

**Annual energy consumption AEC kWh/annum (kWh):** 35.1

**Energy Efficiency Class:** A++

**Fluid Dynamic Efficiency (FDEhood):** 37,6

**Fluid Dynamic Efficiency class:** A

**Light Efficiency (Lehood) lux/Watt:** 45

**Lighting Efficiency class:** A

**Grease Filtering Efficiency class:** C

**Air flow (Qmin) m3/h:** 270  
**Air flow (Qmax):** 400  
**Air flow (Qboost):** 740  
**Noise (LwA) Min Speed (dB):** 53  
**Noise (LwA) Max Speed (dB):** 59  
**Noise (LwA) boost speed (dB):** 70  
**Off mode Power (Po) W:** 0,49  
**Energy Efficiency Index (EEI):** 35.7  
**Time increase factor:** 0.6  
**Air pressure at best efficiency point(Pbep) Pa:** 464  
**Electric power input at best efficiency point (Wbep) W:** 147.0  
**Nominal power of the lighting system (WL) W:** 2,2  
**Average illumination of the lighting system on the cooking surface (Emiddle) Lux:** 180

## ACCESSORIES

**Outlet reduction:** Yes  
**Outlet extension:** no  
**Optional Charcoal Filter:** D11C  
**Charcoal filter description:** CHARCOAL FILTER D11C (2 PIECES) DVF

## MODELS

**Number of filters:** 2  
**Filter description:** Aluminum Filters  
**Opening system:** Piston  
**Control panel:** Touch Control  
**Stop delay timer:** Yes  
**Filter saturation indicator:** Yes  
**Number of speeds:** 3+1  
**Fresh air function:** Yes

## PRODUCT INFORMATION SHEET - DELEGATED REGULATION (EU) 65/2014

**Supplier name or trademark:** TEKA  
**Model identifier:** DVF 97670 TBS  
**Annual Energy Consumption:** 35.1  
**Energy Efficiency Class:** A++  
**Fluid Dynamic Efficiency:** 37,6  
**Fluid Dynamic Efficiency class:** A  
**Lighting Efficiency:** 45  
**Lighting Efficiency class:** A  
**Grease Filtering Efficiency class:** C  
**Air flow (min speed normal use):** 270  
**Air flow (max speed normal use):** 400  
**Air flow (intensive or boost use):** 740  
**Airborne acoustical A-weighted sound power emissions (min speed normal use):** 53  
**Airborne acoustical A-weighted sound power emissions (max speed normal use):** 59  
**Airborne acoustical A-weighted sound power emissions (intensive or boost use):** 70  
**Power consumption in off mode (W):** 0,49



DVF 97670 TBS

ENERGY LABEL

