



DVF 97670 TBS 90cm Vertical decorative Hood with Fresh air function



LED



Perimeter extraction



Stop Delay Timer



Fresh AIR

DESCRIPTION

90cm Vertical decorative Hood with Fresh air function

LIFE STYLE

Maestro

COLOURS

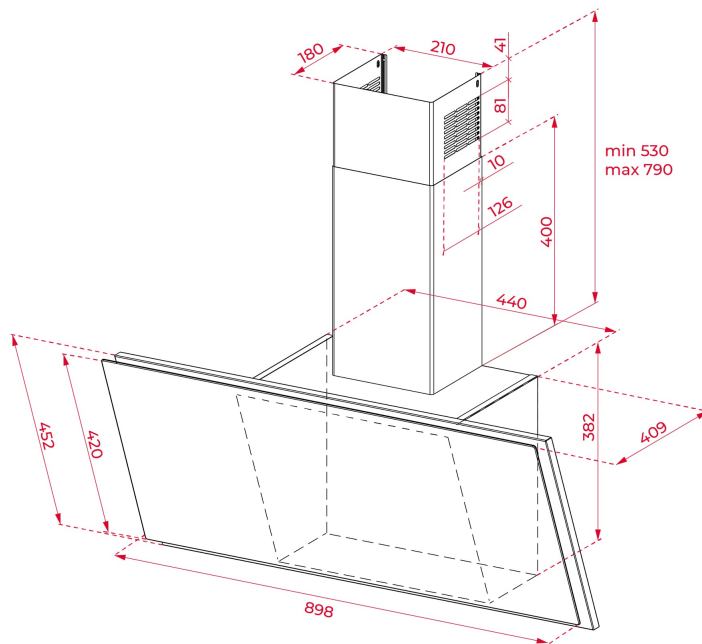


REFERENCE

REF. 112930020
EAN. 8434778010749

FEATURES

Vertical decorative hood
Fresh air function
Touch control panel
Extraction rim system "Contour"
3 speeds + 1 intensive
Exhaust capacities:
Free Outlet (m³/h): 740
Max. (m³/h): 400
Min. (m³/h): 270
Noise (LwA) Max Speed 59 dB
Noise (LwA) Min Speed 53 dB
LED illumination
1 aluminium filter with 6 layers
Stop delay timer
Filter saturation indicator
Recirculation function with or without tube cover
Optional regenerative charcoal filters
Installation also possible without tube cover



DIMENSIONS

Product height (mm): 912-1172

Product width (mm): 898

Product depth (mm): 409

Product length (mm):

Net weight (Kg): 12,9

TECH SPECS

PARTICULAR CHARACTERISTICS

Type of hood: Vertical

Style: Decoratives

Certificates: CE; CB; EMC

Ø Outlet (mm): 150

Dual Aspiration System: Yes

Type of inner light: LED

Inside light Consumption (W): 1

Plug type: EU, safety class 1

Cable Connection Length (cm): 120

Power rate (V): 220-240

Frequency (Hz): 50/60

Total hood power (W): 272

Number of motors: 1

Motor power (W): 270

**EU REGULATION NO. 65/2014
&66/2104**

Annual energy consumption AEC kWh/annum (kWh): 35.1

Energy Efficiency Class: A++

Fluid Dynamic Efficiency (FDEhood): 37,6

Fluid Dynamic Efficiency class: A

Light Efficiency (Lehood) lux/Watt: 45

Lighting Efficiency class: A
Grease Filtering Efficiency class: C
Air flow (Qmin) m3/h: 270
Air flow (Qmax): 400
Air flow (Qboost): 740
Noise (LwA) Min Speed (dB): 53
Noise (LwA) Max Speed (dB): 59
Noise (LwA) boost speed (dB): 70
Off mode Power (Po) W: 0,49
Energy Efficiency Index (EEI): 35.7
Time increase factor: 0.6
Electric power input at best efficiency point (Wbep) W: 147.0
Nominal power of the lighting system (WL) W: 2,2
Average illumination of the lighting system on the cooking surface (Emiddle) Lux: 180

ACCESSORIES

Anti Return valve: Yes
Outlet reduction: Yes
Optional Charcoal Filter: D11C
Charcoal filter description: CHARCOAL FILTER D11C (2 PIECES) DVF
Conventional recirculation kit (with tube cover): 113290005
Conventional recirculation kit (without tube cover): 113290004

MODELS

Number of filters: 2
Filter description: Aluminum
Opening system: Piston
Control panel: Touch Control
Stop delay timer: Yes
Filter saturation indicator: Yes
Number of speeds: 3+1
Fresh air function: Yes

PRODUCT INFORMATION SHEET - DELEGATED REGULATION (EU) 65/2014

Supplier name or trademark: TEKA
Model identifier: DVF 97670 TBS
Annual Energy Consumption: 35.1
Energy Efficiency Class: A++
Fluid Dynamic Efficiency: 37,6
Fluid Dynamic Efficiency class: A
Lighting Efficiency: 45
Lighting Efficiency class: A
Grease Filtering Efficiency class: C
Air flow (min speed normal use): 270
Air flow (max speed normal use): 400
Air flow (intensive or boost use): 740
Airborne acoustical A-weighted sound power emissions (min speed normal use): 53
Airborne acoustical A-weighted sound power emissions (max speed normal use): 59
Airborne acoustical A-weighted sound power emissions (intensive or boost use): 70
Power consumption in off mode (W): 0,49



DVF 97670 TBS

ENERGY LABEL

The energy label for the TEKA DVF 97670 TBS WH is a rectangular sticker with a blue border. At the top left is the European Union flag. To its right is the word "ENERG" in large blue letters, with "енергия - енергій" in smaller text below it. Further right are two circular icons: one with "Y" and "U/A" and another with "IE" and "I/A". Below this header, the brand "TEKA" and model "DVF 97670 TBS WH" are printed. The central part of the label features a vertical scale of energy efficiency classes from A+++ (green) at the top to D (red) at the bottom. A black arrow points to the A++ class. To the right of this scale, a box contains the number "35" and the unit "kWh/annum". At the bottom, there are four icons in rounded rectangles: a fan (labeled A B C D E F G), a lightbulb (labeled A B C D E F G), water droplets (labeled A B C D E F G), and a speaker (labeled 61 dB). The bottom left corner of the label has the number "65/2014".