



HLB 8600 P A+ Pyrolytic Oven with 20 recipes



70L



A Energy Class



DualClean



Full Extension
Telescopic
Guide



HydroClean



Pyrolysis



SoftClose



SurroundTemp

DESCRIPTION

A+ Pyrolytic Oven with 20 recipes

LIFE STYLE

Maestro

COLOURS

REFERENCE

REF. 111000015
EAN. 8434778008319

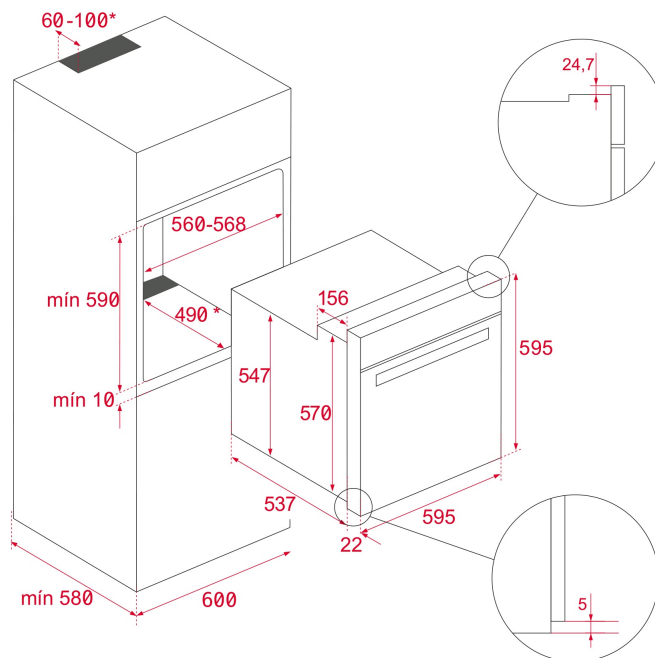


TEKA

HLB 8600 P

FEATURES

Urban Colors Edition
Multifunction SurroundTemp - 12 Cooking functions
DualClean cleaning system: Pyrolytic self-cleaning (3 levels) + Teka HydroClean® PRO
A+ Energy class: up to 20% less consumption
Capacity, gross/net: 71/70 litres
True colour TFT 4 display with digital timer
Personal cooking assistant (20 recipes)
SlowCook function: low temperature cooking
Automatic temperature and time suggestion for each function
Quick heating
Children safety block
Automatic disconnection security system
Quadruple glazed door
SoftClose system
2 telescopic guides: 1 Full Extension + 1 Plus-Extension, 5 cooking levels
Deep enamelled tray and reinforced grid
Tangential ventilation with 2 speeds



DIMENSIONS

Product height (mm): 595

Product width (mm): 595

Product depth (mm): 537+22

Product length (mm):

Net weight (Kg): 36

TECH SPECS

PARTICULAR CHARACTERISTICS

Certificates: N / CE / CCA / CB

Number of cavities: 1

Type of inner light: Halogen

Inside light position: Right top corner

Enamelled cavity: Yes

Function selector: ELECTRONIC

Number of cooking functions: 12

Number of recipes: 20

Grill function: Yes

MaxiGrill function: Yes

Bottom function: Yes

Turbo function: Yes

ECO function: Yes

Ferment function: Yes

Automatic quick heating: Yes

Slow Cook: Yes

Touch Control Programmer: Yes

Knobs type: MMX FIX ROTATIVE

Removable chromed tray guides: Yes

Number of guide levels: 5

Full extension telescopic guides: Yes

Easy slide telescopic guides: Yes

ELECTRIC CONNECTION

SoftClose: Yes

Maximum Nominal Power (W): 3552

Frequency (Hz): 50/60

Power rate (V): 220-240

Cable Connection Length (cm): 150

Plug: Yes

Inside light Consumption (W): 25

ENERGY CONSUMPTION

Energy consumption per cycle in conventional mode (kWh):
0.87

Energy consumption per cycle in fan-forced convection mode (kWh): 0,68

Bottom Heating Element (W): 1050

Grill (W): 1400

Maxi Grill (W): 2450

Traditional (W): 2450

Turbo (W): 2000

Multifunction Turbo (W): 25

Cooling Fan Motor (W): 30

SECURITY SYSTEM

Automatic disconnection when opening the door: Yes

Panel blocking system: Yes

Children safety block option: Yes

Grill protection: Yes

Anti-tip tray system: Yes

Safety Thermostat: Yes

Full glazed doors: 4

CLEANING SYSTEM

Crystal Clean Enamel (Slippery): Yes

Hydroclean PRO: Yes

Pyrolitic: Yes

DualClean: Yes

ACCESSORIES

Deep Tray (50 mm): Yes

Number of deep trays: 1

Steak tray: 0

Reinforced grid: Yes

ENERGY EFFICIENCY

Energy Efficiency Class: A+

Energy Efficiency Index (EEI): 81



HLB 8600 P

ENERGY LABEL

ENERGY Y UA IE IA

TEKA HLB 8600 P

A+++
A++
A+
A
B
C
D

70L 0.88 kWh/cycle*
0.68 kWh/cycle*

* Unreka - cyklus - porton - zylkes - pralywajowa - dode - twódkie - chłodziwo - ciekaw - ciekaw - ciekaw - cyklus - cykl - dode - program - cykl

65/2014