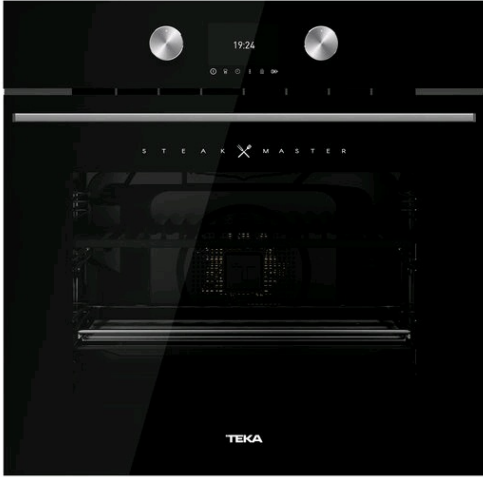




# SteakMaster Multifunction Pyrolytic oven with special Grill and Cast iron grid for Steaks



A Energy Class



DualClean



Plus Extension  
Telescopic  
Guide



HydroClean



Pyrolysis



SoftClose



SurroundTemp

**DESCRIPTION**

Multifunction Pyrolytic oven with special Grill and Cast iron grid for Steaks

**LIFE STYLE**

Maestro

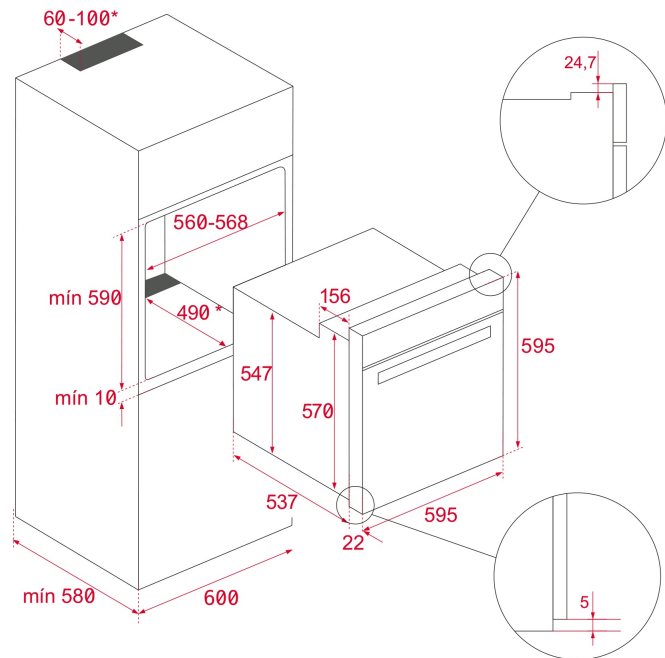
**COLOURS**

**REFERENCE**

REF. 111000036  
EAN. 8434778012576

**FEATURES**

SteakMaster Oven with SteakGrill (700<sup>o</sup>)  
Pyrolytic Multifunction SurroundTemp  
3 pyrolytic cleaning cycles  
HydroClean® PRO cleaning system  
Enamel Slippery  
A+ Energy class: up to 20% less consumption  
Capacity, gross/net: 71/63 litres  
TFT 4" true color Touch control  
LED illuminated ring knob  
20 automatic programs for meat  
Personal cook assistant: 20 international programmed recipes  
Automatic Express preheating  
SlowCook: low temperature cooking  
Pizza, ferment, defrosting & ECO functions  
Children safety block, timer and door  
Automatic disconnection security system  
4 removable glazed door  
SoftClose door with autolock  
Full glass inner door  
Plus + Full Extension telescopic guides easy slide  
Special cast iron grid for Steaks  
Anti-tip deep tray and reinforced grid  
Tangential ventilation Plus with 2 speeds  
Optional The SteamBox and cast aluminium tray



## DIMENSIONS

Product height (mm): 595

Product width (mm): 595

Product depth (mm): 537+22

Product length (mm):

Net weight (Kg): 40

## TECH SPECS

### PARTICULAR CHARACTERISTICS

**Certificates:** N / CE / CCA / CB / EAC

**Number of cavities:** 1

**Type of inner light:** Halogen

**Inside light position:** Left-Right TOP CORNER

**Enamelled cavity:** Yes

**Function selector:** Electronic

**Number of cooking functions:** 12

**Number of recipes:** 20

**Grill function:** Yes

**MaxiGrill function:** Yes

**Bottom function:** Yes

**Turbo function:** Yes

**ECO function:** Yes

**Ferment function:** Yes

**Automatic quick heating:** Yes

**Slow Cook:** Yes

**Knobs type:** MMX FIX ROTATIVE SS

**Ring illuminated:** Yes

**Removable chromed tray guides:** Yes

**Number of guide levels:** 5

**Easy slide telescopic guides:** Yes

**SoftClose:** Yes

## **ELECTRIC CONNECTION**

**Maximum Nominal Power (W):** 3552  
**Frequency (Hz):** 50/60  
**Power rate (V):** 220-240  
**Cable Connection Length (cm):** 150  
**Plug:** Yes  
**Inside light Consumption (W):** 25

## **ENERGY CONSUMPTION**

**Energy consumption per cycle in conventional mode (kWh):**  
0.87  
**Energy consumption per cycle in fan-forced convection mode (kWh):** 0,68  
**Bottom Heating Element (W):** 1050  
**Grill (W):** 2400  
**Maxi Grill (W):** 3500  
**Traditional (W):** 2450  
**Turbo (W):** 2000  
**Multifunction Turbo (W):** 25  
**Cooling Fan Motor (W):** 30

## **SECURITY SYSTEM**

**Automatic disconnection when opening the door:** Yes  
**Children safety block option:** Yes  
**Grill protection:** Yes  
**Anti-tip tray system:** Yes  
**Safety Thermostat:** Yes  
**Full glazed doors:** 4

## **CLEANING SYSTEM**

**Crystal Clean Enamel (Slippery):** Yes  
**Hydroclean PRO:** Yes  
**Pyrolitic:** Yes  
**DualClean:** Yes

## **ACCESSORIES**

**Deep Tray (50 mm):** Yes  
**Steak tray:** 1  
**Reinforced grid:** Yes

## **ENERGY EFFICIENCY**

**Energy Efficiency Class:** A  
**Energy Efficiency Index (EEI):** 81



SteakMaster

ENERGY LABEL

The energy label for the TEKA STEAKMASTER dishwasher features the following information:

- Energy Class:** A (indicated by a black arrow pointing to the 'A' bar on the scale).
- Energy Scale:** A+++ (green), A++ (light green), A+ (yellow-green), A (yellow), B (orange), C (red-orange), D (red).
- Capacity:** 63 L (shown with a dishwasher icon).
- Energy Consumption (per cycle):** 0.87 kWh/cycle\* (shown with a cycle icon).
- Energy Consumption (per program):** 0.77 kWh/cycle\* (shown with a program icon).
- Standards:** Y IJA, IE IA.
- Regulation:** 65/2014.

\* Unveň - cyklus - porton - zvlášť prípravu - dôle - hľadieť - chýbajúce - ciklo - ciklo - ciklo - cyklus - cykl - ciklo - program - cykl