



EFX 30.1 2H 30cm Modular Vitroceramic Hob with 2 zones and metallic front controls



Autolock



Easy
installation

DESCRIPTION

30cm Modular Vitroceramic Hob with 2 zones and metallic front controls

LIFE STYLE

Total

COLOURS



REFERENCE

REF. 40214405
EAN. 8421152155776

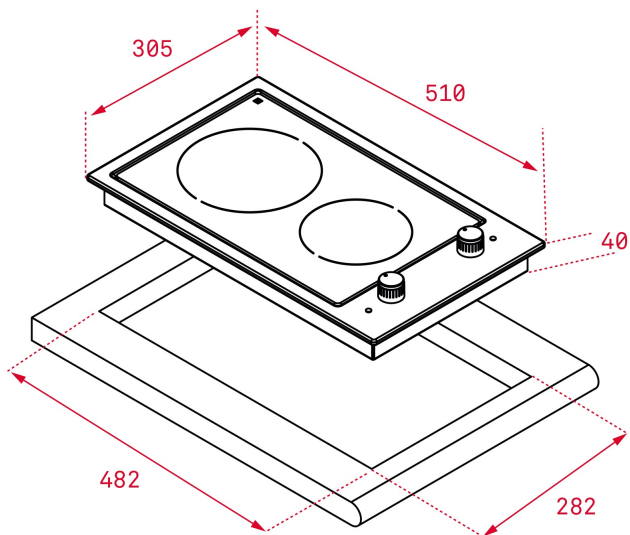


TEKA

EFX 30.1 2H

FEATURES

Modular vitroceramic hob
2 cooking zones
1 zone Ø 180 mm
1 zone Ø 145 mm
Ceramic glass surface
Auto-lock safety system
Residual heat indicator
Easy installation kit
Maximum nominal power 3000 W



DIMENSIONS

Product height (mm): 45
Product width (mm): 305
Product depth (mm): 510
Product length (mm):
Net weight (Kg): 4,3

TECH SPECS

FITTING MEASURES

Built-in Width (mm): 282
Built-in Depth (mm): 482
Built-in height (mm): 45

PARTICULAR CHARACTERISTICS

Number of electric power levels: 9

ELECTRIC CONNECTION

Frequency (Hz): 50/60
Power rate (V): 220-240
Cable Connection Length (cm): 100
Maximum Nominal Power (W) (Electric hob): 3000

COOKING ZONES

Cooking Zones: 2
Energy consumption for the whole hob, Wh/Kg: 185,7

SECURITY SYSTEM

Residual heat indicator (Gas): Yes
Residual heat indicator (Electric hob): Yes

Automatic safety disconnection (Auto Lock) (Electric hob): Yes

FINISH

Surface finishing: Stainless steel frame

Surface type: Ceramic Glass (4mm)

Easy installation system: Yes

ACCESSORIES

Junction Kit: Optional

Teppan Yaki: Optional

