



LP2 140 Free Standing Compact Dishwasher for 6 place settings in 55cm



Eco Function

DESCRIPTION

Free Standing Compact Dishwasher for 6 place settings in 55cm

LIFE STYLE

Total

COLOURS



REFERENCE

REF. 40782910
EAN. 8421152144596

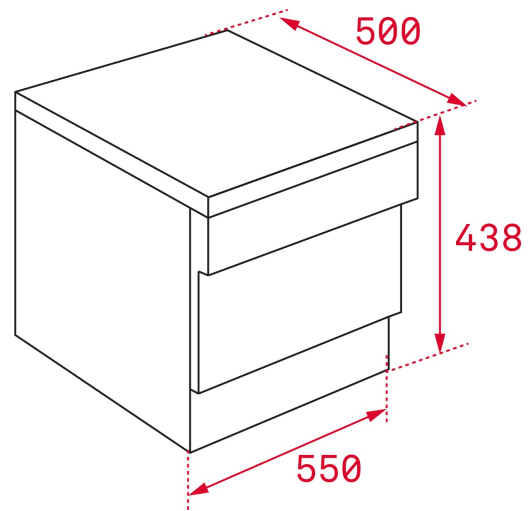


TEKA

LP2 140

FEATURES

Free standing table top Dishwasher
Electronic control panel with display
Capacity: 6 plate settings
Washing programs: 6
Washing temperatures: 40°, 45°, 50°, 60°, 65°, 70°C
Fast programs: 30 minutes
ECO program
AquaSafe safety system
Low salt and rinse indicator
Delay timer: 1-24 hours
Noise level: 49 dBA
Adjustable back feet from front



DIMENSIONS

Product height (mm): 438
Product width (mm): 550
Product depth (mm): 500
Product length (mm):
Net weight (Kg): 21

TECH SPECS

PRODUCT SHEET

Capacity (Place Settings): 6
Energy consumption (kWh/year): 174
Power consumption (Kwh): 0,61
Water consumption (litres/year): 1820
Water consumption (litres): 6.5
Standard program: ECO
Standard cycle duration (minutes): 180
Noise level (dB): 49
Certificates: GS;CE;EMC;Rohs;SAA

POWER SUPPLY

Frequency (Hz): 50
Power rate (V): 220-240
Power rate (W): 1280
Plug type: EU
Maximum Nominal Power (W): 1280

FEATURES

Type of installation: Table top
Control panel: Electronic buttons
Control panel display: Yes

Number of programs: 6
Number Of Washing Temperatures: 6
Water softener: Yes
Microfilter: Yes

SAFETY SYSTEMS

Internal Leakage Control: Yes

CONTROL INDICATOR LIGHTS

Low Salt Aid indicator: Yes
Low Rinse Aid indicator: Yes
Selected program indicator: Yes
Remaining time: Yes

SPECIAL FUNCTIONS

Fast program: Yes
Fast program (minutes): 30
Economic program: Yes
Delayed Timer (h): 1-24 hours



LP2 140

ENERGY LABEL

The energy label for the TEKA LP2 140 EU dishwasher features the following information:

- Energy Class:** F (indicated by a black arrow pointing to the 'F' level on the scale).
- Energy Consumption:** 61 kWh / 100 cycles.
- Wash Program:** 6 x (represented by a plate and glass icon).
- Water Consumption:** 6,5 L (represented by a water tap icon).
- Runtime:** 3:50 (represented by a clock icon).
- Noise Level:** 49 dB (represented by a speaker icon).
- Energy Class Legend:** A (green), B (light green), C (yellow-green), D (yellow), E (orange), F (dark orange), G (red).
- Additional Info:** TEKA LP2 140 EU, QR code, and a small vertical text 'L100/01/102'.