



**EFX 30.1 FRYER 30cm Modular Fryer**



Autolock

**DESCRIPTION**

30cm Modular Fryer

**LIFE STYLE**

Total

**COLOURS**

**REFERENCE**

REF. 40214450  
EAN. 8421152156346

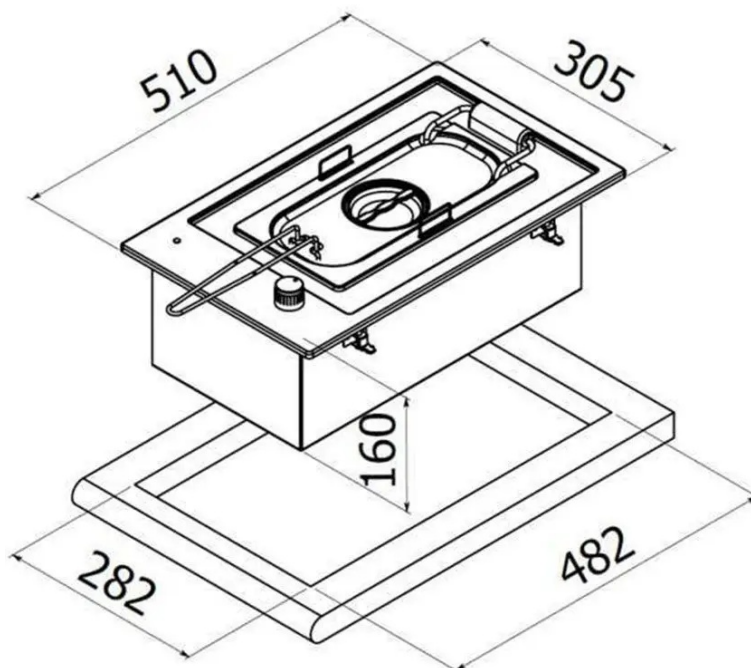


**TEKA**

## **EFX 30.1 FRYER**

### **FEATURES**

Modular fryer hob  
Frontal control knobs  
Maximum nominal power 2300 W



## DIMENSIONS

**Product height (mm):** 45  
**Product width (mm):** 305  
**Product depth (mm):** 510  
**Product length (mm):**  
**Net weight (Kg):** 7,21

## TECH SPECS

### FITTING MEASURES

**Built-in Width (mm):** 282  
**Built-in Depth (mm):** 160  
**Built-in height (mm):** 482

### ELECTRIC CONNECTION

**Maximum Nominal Power (W):** 2300  
**Frequency (Hz):** 50/60  
**Power rate (V):** 220/240  
**Cable Connection Length (cm):** 135

### COOKING ZONES

**Cooking Zones:** 1

### SECURITY SYSTEM

**Automatic safety disconnection (Auto Lock) (Electric hob):** Yes

### FINISH

**Surface type:** stainless steel

### ACCESSORIES

**Teppan Yaki:** No



