



**FGA 820** 69L Gas oven with electric grill



**DESCRIPTION**

69L Gas oven with electric grill

**LIFE STYLE**

Total

**COLOURS**



**REFERENCE**

REF. 41597500  
EAN. 8421152068779

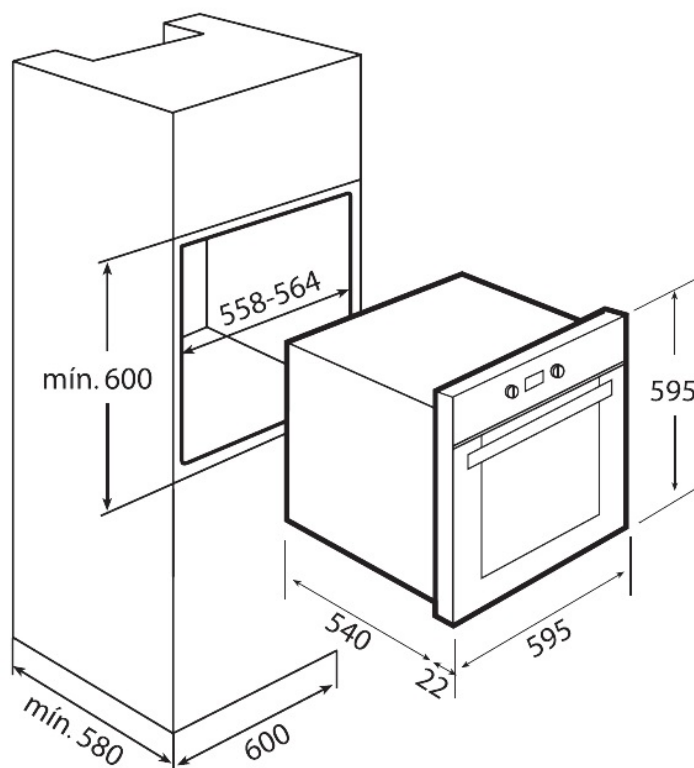


**TEKA**

**FGA 820**

**FEATURES**

Gas oven with electric grill  
Energy class: B  
Capacity, gross/net: 65/57 litres  
Mechanical control knobs with stop  
programmer  
Adjustable thermostat  
Safety device  
Double glazed door  
Turnspit  
Side catalytic panels  
Deep tray and cooking grid  
Tangential ventilation



## DIMENSIONS

**Product height (mm):** 595

**Product width (mm):** 595

**Product depth (mm):**

**Product length (mm):**

**Net weight (Kg):** 32

## TECH SPECS

### PARTICULAR CHARACTERISTICS

**Number of cavities:** 1  
**Number of cooking functions:** 4  
**Grill function:** Yes  
**Grill + Turnspit function:** Yes  
**Bottom function:** Yes  
**Number of guide levels:** 1

### ELECTRIC CONNECTION

**Frequency (Hz):** 50/60  
**Power rate (V):** 220-240  
**Cable Connection Length (cm):** 110  
**Inside light Consumption (W):** 25

### ENERGY CONSUMPTION

**Bottom Heating Element (W):** 2400  
**Grill (W):** 1400  
**Cooling Fan Motor (W):** 18

### SECURITY SYSTEM

**CLEANING SYSTEM**

**Anti-tip tray system:** Yes

**Safety Thermostat:** Yes

**Fingerprint proof stainless steel:** Yes

**Crystal Clean Enamel (Slippery):** Yes

**ACCESSORIES**

**Deep Tray (50 mm):** 1

**The SteamBox:** 0

**Glass Tray:** 0

**ENERGY EFFICIENCY**

**Energy Efficiency Class:** B

