



**HSF 930 G BK** Conventional gas oven with gas grill / 4 cooking functions



**DESCRIPTION**

Conventional gas oven with gas grill / 4 cooking functions

**LIFE STYLE**

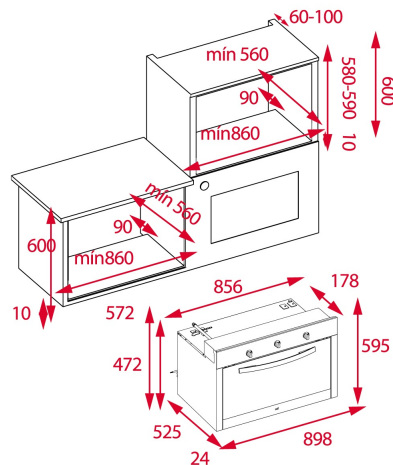
Total

**COLOURS**



**REFERENCE**

REF. 111110000  
EAN. 8434778020236



## DIMENSIONS

**Product height (mm):** 595

**Product width (mm):** 898

**Product depth (mm):** 525

**Product length (mm):**

**Net weight (Kg):** 49

## TECH SPECS

### PARTICULAR CHARACTERISTICS

**Certificates:** N/CE/CB/GMARK

**Number of cavities:** 1

**Type of inner light:** Halogen

**Inside light position:** SIDE

**Enamelled cavity:** Yes

**Min. Temperature Regulator (°C):** 50

**Max. Temperature Regulator (°C):** 250

**Function selector:** 4+0

**Number of cooking functions:** 4

**Grill function:** Yes

**Bottom function:** Yes

**Bottom + Fan function:** Yes

**Minute Minder:** Yes

**Knobs type:** MMX FIX KNOB knurling  $\varnothing$ 47

**Removable chromed tray guides:** Yes

**Number of guide levels:** 5

**Forced refrigeration tangential 1 speed:** Yes

### ELECTRIC CONNECTION

**Maximum Nominal Power (W):** 1.531

**Frequency (Hz):** 50/60

**Power rate (V):** 220/240

**Cable Connection Length (cm):** 110

**Inside light Consumption (W):** 25

### ENERGY CONSUMPTION

**Energy consumption per cycle in conventional mode (kWh):**

2.28

**Energy consumption per cycle in fan-forced convection mode**

**(kWh): 2,48**

**Bottom Heating Element (W): 4.000**

**Grill (W): 2500**

**Multifunction Turbo (W): 30**

**Cooling Fan Motor (W): 18**

## **SECURITY SYSTEM**

**Grill protection:** Yes

**Anti-tip tray system:** Yes

**Safety Thermostat:** Yes

## **CLEANING SYSTEM**

**Fingerprint proof stainless steel:** Yes

**Crystal Clean Enamel (Slippery):** Yes

## **ACCESSORIES**

**Deep Tray (50 mm): 1**

**Reinforced grid: 1**

**Deep Tray (lower cavity) (50 mm): 1**

## **ENERGY EFFICIENCY**

**Energy Efficiency Class:** B

**Energy Efficiency Index (EEI): 129,4**

