

TEKA**TL 9310 Inox**

Pull-out hood with double motor turbine and 2 speeds, 90cm

REFERENCE

REF: 40474390

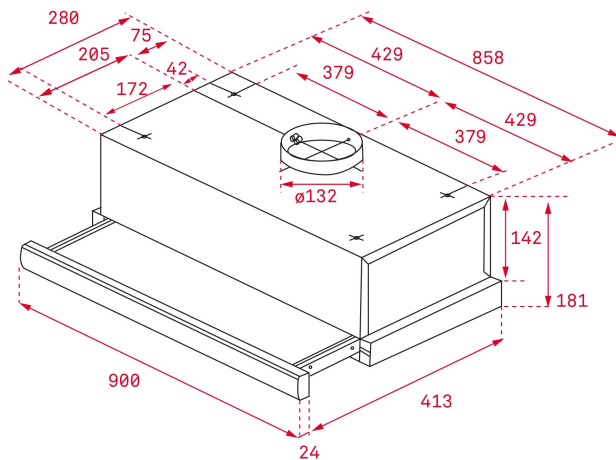
EAN: 8421152146002

FEATURES

Pull-out hood
Mechanical control
2 speeds
Free Outlet exhaust capacity (m³/h): 366
Max speed exhaust capacity (m³/h): 332
Min speed exhaust capacity (m³/h): 233
Max speed sound level (dBA): 54
Min speed sound level (dBA): 45
2 LED lamps
4 aluminium filters
Exchangeable front panel
Anti-return valve included
Optional Charcoal Filter: CNL 1C



LED

DIMENSIONS**Product height (mm):** 181**Product width (mm):** 900**Product depth (mm):** 304-437**Product length (mm):****Net weight (Kg):** 9,1**TECHNICAL DETAILS**

Energy Efficiency Class: D

Noise (LwA) Min Speed (dB): 49

Noise (LwA) Max Speed (dB): 65

Noise (LwA) Boost Speed (dB): N/A

Ø Outlet (mm): 120

COLOURS

40474390

Stainless steel