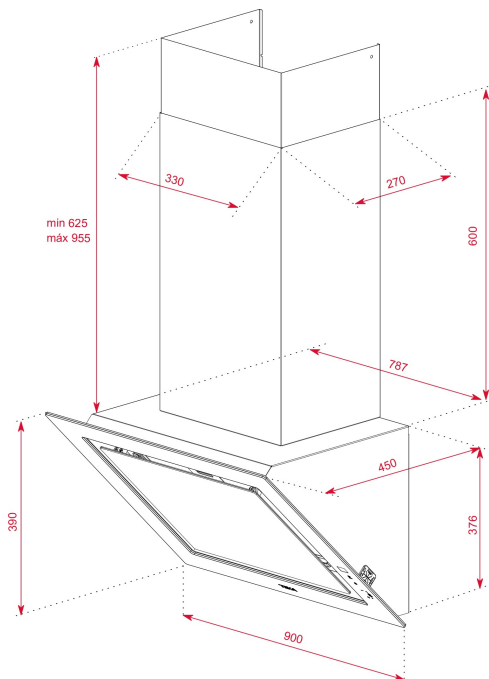




LED

Perimeter
extractionStop Delay
Timer

Fresh AIR



REFERENCE

REF: 112930030

EAN: 8434778011944

FEATURES

Urban Colors Edition

Decorative vertical hood

Touch control with display

FreshAir function

3 speeds + 1 intensive

Intensive speed exhaust capacity (m3/h): 696

Max speed exhaust capacity (m3/h): 558

Min speed exhaust capacity (m3/h): 290

Intensive speed sound level (dBA): 69.9

Max speed sound level (dBA): 66.5

Min speed sound level (dBA): 51.4

1 LED lamp

2 Aluminum filters

Stop delay timer

Filer saturation indicator

Anti-return valve included

Outlet reduction included

Optional recirculation kit with tube cover installation: CFH 15200

L3C

Optional regenerative recirculation kit with tube cover

installation: RFH 15200 L3C

Optional recirculation kit without tube cover installation: CFH

15200 O2C

Optional Charcoal Filter: C1RTK

Optional Regenerative filter: R1RTK

DIMENSIONS

Product height (mm): 1001-1331**Product width (mm):** 900**Product depth (mm):** 450**Product length (mm):****Net weight (Kg):** 20,27

TECHNICAL DETAILS

Energy Efficiency Class: A+

Noise (LwA) Min Speed (dB): 51

Noise (LwA) Max Speed (dB): 67

Noise (LwA) Boost Speed (dB): 70

Ø Outlet (mm): 150

COLOURS

	112930030	White
--	-----------	-------

	112930029	Stone grey
--	-----------	------------

	112930029	Steam grey
--	-----------	------------

	112930029	London brick brown
--	-----------	--------------------

