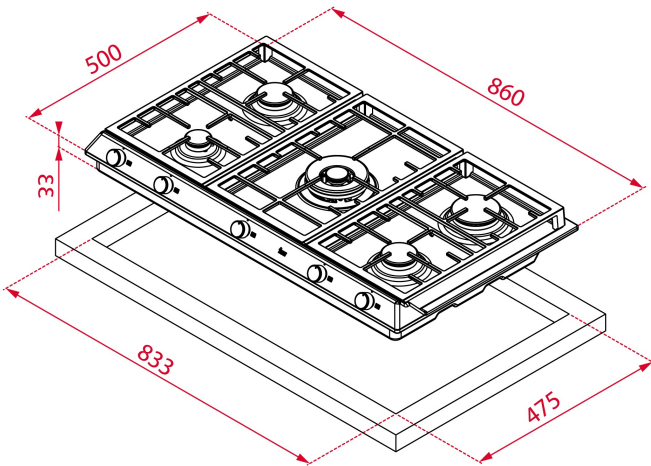


TEKA**EFX 90.1 5G AI AL DR CI LEFT**

Stainless steel gas hob with frontal control knobs of butane and natural gas

Auto
ignition

Autolock

**REFERENCE**

REF: 112610033

EAN: 8434778018752

FEATURES

Gas hob
Frontal control knobs
5 cooking zones
1 double ring burner, 4.00 kW
1 fast burner, 3.00 kW
2 semi fast burners, 1.7 kW
1 auxiliary burner, 1 kW
Stainless steel surface
Auto ignition
Auto-lock safety system
Cast iron grids
Maximum nominal power 11.500 W
Optional: Wok support

DIMENSIONS**Product height (mm):** 91**Product width (mm):** 860**Product depth (mm):** 510**Product length (mm):****Net weight (Kg):** 14,5**TECHNICAL DETAILS**

Power rate (V): 220-240

Frequency (Hz): 50/60

Maximum Nominal Power (W): -

COLOURS

112610033

Stainless steel

ENERGY EFFICIENCY

Power consumption in standby mode (W): -

Time to reach standby mode (min): -