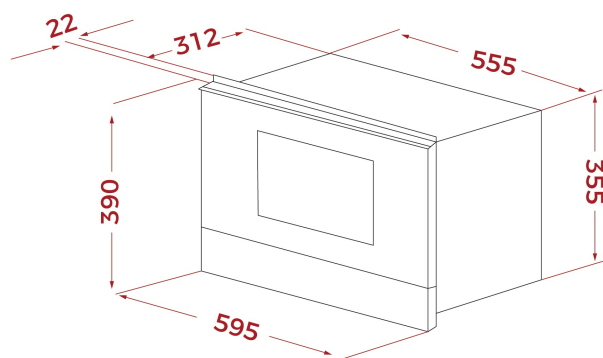


**TEKA****MS 622 BI L SS**

Built-in mechanical microwave with ceramic base and left door opening

Ceramic  
baseDefrost By  
Time

22L

**REFERENCE**

REF: 40584102

EAN: 8421152145548

**FEATURES**

Built-in Microwave  
Ceramic base with uniform heating  
1 cooking function  
5 power levels, 1400 W  
Defrost by time  
Mechanical control knobs  
Double glazed door with right opening  
Automatic disconnection when open door  
Incandescent inner light  
Capacity (gross/net): 22 / 21.56 litres  
Stainless steel cavity  
Tangential ventilation

**DIMENSIONS****Product height (mm):** 390**Product width (mm):** 595**Product depth (mm):** 334**Product length (mm):****Net weight (Kg):** 22**TECHNICAL DETAILS**

MWO Power (W): 850

Frequency (Hz): 50

Maximum Nominal Power (W): 1500

Grill (W): -

**COLOURS**

40584102

Stainless steel