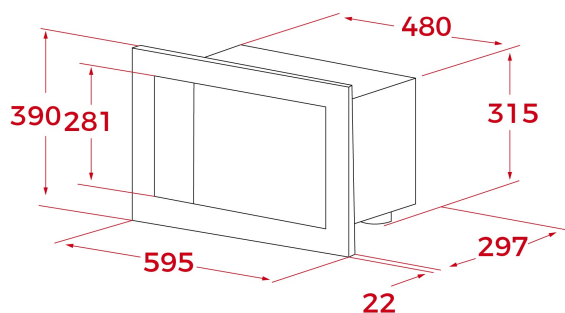


**TEKA****ML 820 BIS BK-SS**

Built-in microwave with grill and touch control

Defrost By  
TimeDefrost By  
WeightDirect  
Access  
Menu**REFERENCE**

REF: 40584200

EAN: 8421152145555

**FEATURES**

Built-in Microwave + Grill

3 cooking functions

3 direct access menus

1 memory

5 power levels, 1200 W

Grill power: 1000 W

Defrost by time and weight

Touch control display with knobs and minute minder

Double glazed door with right opening

Children safety lock

Automatic disconnection when open door

Quick start

Capacity (gross/net): 20 / 18 litres

Stainless steel cavity

**DIMENSIONS****Product height (mm):** 390**Product width (mm):** 595**Product depth (mm):** 325**Product length (mm):****Net weight (Kg):** 17,5**TECHNICAL DETAILS**

MWO Power (W): 750

Frequency (Hz): 50

Maximum Nominal Power (W): 1200

Grill (W): 1000

**COLOURS**

40584200

Black glass with frame



40584203

White glass with frame