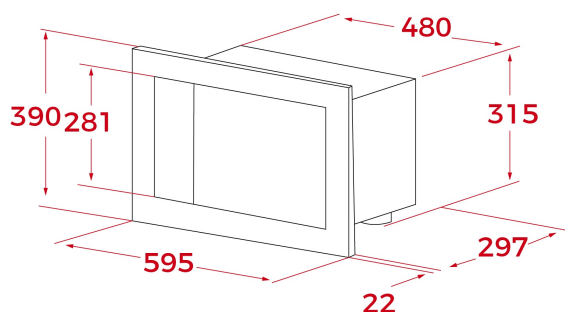


**TEKA****ML 820 BI BK-SS**

Built-in mechanical microwave with automatic defrosting mode

Defrost By  
Time**REFERENCE**

REF: 40584201

EAN: 8421152145562

**FEATURES**

Built-in Microwave  
1 cooking function  
5 power levels, 1200 W  
Defrost by time  
Mechanical control knobs  
Double glazed door with right opening  
Automatic disconnection when open door  
Capacity (gross/net): 18 / 20 litres  
Stainless steel cavity

**DIMENSIONS****Product height (mm):** 390**Product width (mm):** 595**Product depth (mm):** 325**Product length (mm):****Net weight (Kg):** 17,5**TECHNICAL DETAILS**

MWO Power (W): 750

Frequency (Hz): 50

Maximum Nominal Power (W): 1200

Grill (W): -

**COLOURS**

40584201

Black glass with frame