



TKS 850 C 8kg Electronic Condensate Dryer with 4 intensity levels



Quick Cycle



Washing
capacity: 8Kg

DESCRIPTION

8kg Electronic Condensate Dryer with 4 intensity levels

LIFE STYLE

Maestro

COLOURS



REFERENCE

REF. 40854100
EAN. 8421152131718

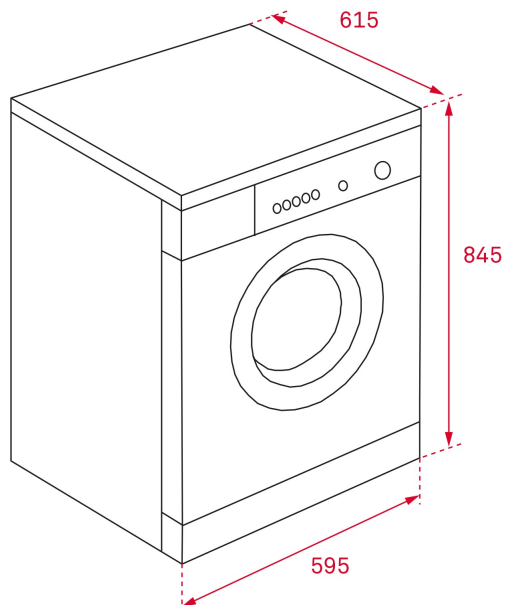


TEKA

TKS 850 C

FEATURES

Free standing dryer
Condenser dryer
16 programs
Drying capacity: 8 Kg
Electronic control panel with display
Delay timer 1-24h
4 Power levels
End of cycle alarm
Speed dry function
Humidity sensor
Anti-crease program
Delicate clothing program clothing program
Cooling program
Bi- direction rotation
Removable filter with saturation level indicator
Energy class: B

TEKA**TKS 850 C**

DIMENSIONS

Product height (mm): 845

Product width (mm): 595

Product depth (mm): 615

Product length (mm):

Net weight (Kg): 42

TECH SPECS

PRODUCT SHEET

Type of installation: Free standing

Drying capacity (Kgs): 8

Condensation efficiency: B

Energy consumption per drying cycle (Full load) (kWh): 4.74

Energy consumption (kWh/year): 561

Duration of drying cycle (Full load) (minutes): 112

Automatic (sensor drying): Yes

POWER SUPPLY

Frequency (Hz): 50

Power rate (V): 220-240

Maximum Nominal Power (W): 2700

Nominal power motor (W): 200

Power of heating element (W): 2500

PARTICULAR CHARACTERISTICS

Glass door diameter (cms): 50

Number of programs: 16

Control panel: ELECTRONIC

Electronic washing management: Yes

Bidirectional rotation: Yes

CONTROL INDICATOR LIGHTS

SPECIAL FUNCTIONS

EQUIPMENT

PRODUCT INFORMATION SHEET (UE) 2019/2014

TECHNICAL DOCUMENTATION (UE) 2019/2014

Drum light: Yes
Drum: Zincification steel

Remaining time: Yes
Drying: Yes
Dryer timer: Yes

Fast program: Yes
Economic program: Yes
Delayed Timer (h): 1-24

Adjustable Feet Back: Yes
Adjustable feet front: Yes

General product parameters

Dimensions (cm)

Consumption and efficiency

Maximum temperature inside the treated textile (a) (°C)

Remaining moisture content (a) (%)

Spin speed (a) (rpm)

Eco 40-60 programme duration (a) (h:min)

Other

Additional information:

Weblink to the supplier's website, where the information in point 9 of Annex II to Commission Regulation (EU) 2019/2023 (1) (b) is found:
(a) for the eco 40-60 programme.
(b) changes to these items shall not be considered relevant for the purposes of paragraph 4 of Article 4 of Regulation (EU) 2017/1369.
(c) if the product database automatically generates the definitive content of this cell the supplier shall not enter these data.

Additional information:

- (c) where appropriate, the references of the harmonised standards applied;
- (d) where appropriate, the other technical standards and specifications used;
- (e) the details and the results of calculations performed in accordance with Annex IV;
- (f) a list of all equivalent models including the model identifier.



TKS 850 C

ENERGY LABEL

