



TKS1 810 H 8kg A++ Free Standing Dryer with 3 drying temperatures



Hand Wash



Washing capacity: 8Kg

DESCRIPTION

8kg A++ Free Standing Dryer with 3 drying temperatures

LIFE STYLE

Total

COLOURS



REFERENCE

REF. 40854210
EAN. 8421152155981



TEKA

TKS1 810 H

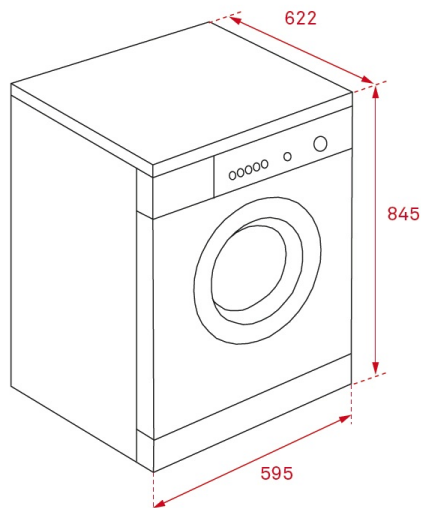
FEATURES

Free standing dryer
Heat pump condenser dryer
16 programs
Drying capacity: 8 Kg
Electronic control panel with display
Delay timer 1-24h
4 Power levels
End of cycle alarm
Humidity sensor
Anti-crease program
Delicate clothing program clothing program
Cooling program
Bi- direction rotation
Remaining time indicator
Removable filter with saturation level indicator
Energy class: A++

TEKA**TKS1 810 H**

DIMENSIONS

Product height (mm): 845
Product width (mm): 595
Product depth (mm): 622
Product length (mm):
Net weight (Kg): 51



TECH SPECS

PRODUCT SHEET

Type of load: Front
Type of installation: Free standing
Drying capacity (Kgs): 8
Energy consumption per drying cycle (Full load) (kWh): 1.98
Energy consumption (kWh/year): 236
Automatic (sensor drying): Yes
Certificates: CE, VDE

POWER SUPPLY

Frequency (Hz): 50
Power rate (V): 220-240
Maximum Nominal Power (W): 650
Nominal power motor (W): 120

PARTICULAR CHARACTERISTICS

Glass door diameter (cms): 37,5
Number of programs: 12
Control panel: Electronic
Electronic washing management: Yes
Child lock: Yes
Bidirectional rotation: Yes
Drum light: Yes
Drum: Galvanized

CONTROL INDICATOR LIGHTS

Selected program indicator: Yes

SPECIAL FUNCTIONS

EQUIPMENT

PRODUCT INFORMATION SHEET (UE) 2019/2014

Remaining time: Yes
Drying: Yes
Dryer timer: Yes

Economic program: Yes
Delayed Timer (h): 1-24
Delicate fabrics: Yes
Easy ironing/anti crease: Yes

Adjustable Feet Back: Yes
Adjustable feet front: Yes

Supplier's name or trade mark :
Supplier's address :
Model identifier :

General product parameters

Rated capacity for the eco 40-60 programme (Kg) :

Dimensions (cm)

Height :
Width :
Depth:

Consumption and efficiency

Energy Efficiency Index (a):
Energy efficiency class (a):
Washing efficiency index (a):
Rinsing effectiveness (g/kg) (a):
Energy consumption in kWh per cycle, based on the eco 40-60 programme. Actual energy consumption will depend on how the appliance is used.:
Water consumption in litre per cycle, based on the eco 40-60 programme. Actual water consumption will depend on how the appliance is used and on the hardness of the water.:

Maximum temperature inside the treated textile (a) (°C)

Rated capacity:
Half capacity:
Quarter capacity:

Remaining moisture content (a) (%)

Rated capacity:
Half:
Quarter:

Spin speed (a) (rpm)

Rated capacity:
Half:
Quarter:
Spin-drying efficiency class (a):

Eco 40-60 programme duration (a) (h:min)

Rated capacity:
Half:
Quarter:

Other

**TECHNICAL DOCUMENTATION
(UE) 2019/2014**

Type:
Airborne acoustical noise emissions in the spinning phase (a) (dB(A) re 1 pW):
Airborne acoustical noise emission class (a) (spinning phase):
Off-mode (W):
Standby mode (W):
Delay start (W) (if applicable):
Networked standby (W) (if applicable):
Minimum duration of the guarantee offered by the supplier (b):
This product has been designed to release silver ions during the washing cycle YES/NO:

Additional information:

Weblink to the supplier's website, where the information in point 9 of Annex II to Commission Regulation (EU) 2019/2023 (1) (b) is found:
(a) for the eco 40-60 programme.
(b) changes to these items shall not be considered relevant for the purposes of paragraph 4 of Article 4 of Regulation (EU) 2017/1369.
(c) if the product database automatically generates the definitive content of this cell the supplier shall not enter these data.

Rated capacity for the eco 40-60 programme, at 0,5 kg intervals (c):
Energy consumption of the eco 40-60 programme at rated capacity (EW,full):
Energy consumption of the eco 40-60 programme at half rated capacity (EW,1/2):
Energy consumption of the eco 40-60 programme at quarter rated capacity (EW,1/4):
Weighted energy consumption of the eco 40-60 programme (EW):
Standard energy consumption of the eco 40-60 programme (SCEW):
Energy Efficiency Index (EEIW):
Water consumption of the eco 40-60 programme at rated capacity (WW,full):
Water consumption of the eco 40-60 programme at half rated capacity (WW,1/2):
Water consumption of the eco 40-60 programme at quarter rated capacity (WW,1/4):
Weighted water consumption (WW):
Washing efficiency index of the eco 40-60 programme at rated capacity (Iw):
Washing efficiency index of the eco 40-60 programme at half rated capacity (Iw):
Washing efficiency index of the eco 40-60 programme at quarter rated capacity (Iw):
Rinsing effectiveness of the eco 40-60 programme at rated capacity (IR):
Rinsing effectiveness of the eco 40-60 programme at half rated capacity (IR):
Rinsing effectiveness of the eco 40-60 programme at quarter rated capacity (IR):
Programme duration of the eco 40-60 programme at rated capacity (tw):
Programme duration of the eco 40-60 programme at half rated capacity (tw):
Programme duration of the eco 40-60 programme at quarter rated capacity (tw):
Temperature reached for minimum 5 min inside the load during eco 40-60 programme at rated capacity (T):
Temperature reached for minimum 5 min inside the load during eco 40-60 programme at half rated capacity (T):
Temperature reached for minimum 5 min inside the load

during eco 40-60 programme at quarter rated capacity (T):
Spin speed in the spinning phase of the eco 40-60 programme at rated capacity (S):
Spin speed in the spinning phase of the eco 40-60 programme at half rated capacity (S):
Spin speed in the spinning phase of the eco 40-60 programme at quarter rated capacity (S):
Remaining moisture content for the eco 40-60 programme at rated capacity (Dfull):
Remaining moisture content for the eco 40-60 programme at half rated capacity (D1/2):
Remaining moisture content for the eco 40-60 programme at quarter rated capacity (D1/4):
Weighted remaining moisture content (D):
Airborne acoustical noise emissions during eco 40-60 programme (spinning phase):
Power consumption in 'off mode' (Po):
Power consumption in 'standby mode' (Psm):
Does 'standby mode' include the display of information? YES/NO:
Power consumption in 'standby mode' (Psm) in condition of networked standby (if applicable):
Power consumption in 'delay start' (Pds) (if applicable):

Additional information:

- (c) where appropriate, the references of the harmonised standards applied;
- (d) where appropriate, the other technical standards and specifications used;
- (e) the details and the results of calculations performed in accordance with Annex IV;
- (f) a list of all equivalent models including the model identifier.



TKS1 810 H

ENERGY LABEL

The energy label for the TEKA TKS1 810 H washing machine is a vertical rectangular sticker with a blue border. At the top left is the European Union flag. To its right, the word "ENERG" is written in large blue letters, with "енергия · ενεργεια" below it. Further right are two small circular icons: one with "Y" and "JA" and another with "IE" and "IA". Below this, the TEKA logo is on the left and the model number "TKS1 810 H" is on the right. The main part of the label features a scale of energy efficiency classes from A+++ (green) at the top to D (red) at the bottom. A black arrow points to the A++ class. Below the scale, the energy consumption is listed as "236 kWh/annum" in a white box with a blue border. Underneath, there are three icons: a washing machine with a plug, a clock, and a t-shirt. Below these icons are the values "195 min/cycle*", "8,0 kg", and "69 dB". At the bottom left is a water consumption icon with the label "ABCDEF" and a small number "392/2012". At the bottom right is a small text block in multiple languages explaining the water consumption scale.

ENERG
енергия · ενεργεια

Y JA
IE IA

TeKa TKS1 810 H

A+++
A++
A+
A
B
C
D

236 kWh/annum

ENERGIA · ЕНЕРГИЯ · ENERGIJA
ENERGIJA · ENERGY · ENERGIE
ENERGI

195 min/cycle*

8,0 kg

69 dB

ABCDEF

392/2012

*цикло - циклу - portion - ciklus
profiraasa - ciclo - tsükkel
ohjelmä - ciklus - ciklus - ciklu
ciklu - ciklus - cykl - ciclo
program - tarkomgng