



TKD 1270 (EXP) 7kg A+++ Free Standing Washing Machine with Woolmark certification



Fingerprint Proof



Hand Wash



Quick Cycle



Washing capacity: 7Kg

DESCRIPTION

7kg A+++ Free Standing Washing Machine with Woolmark certification

LIFE STYLE

Maestro

COLOURS



REFERENCE

REF. 40874302
EAN. 8421152131886

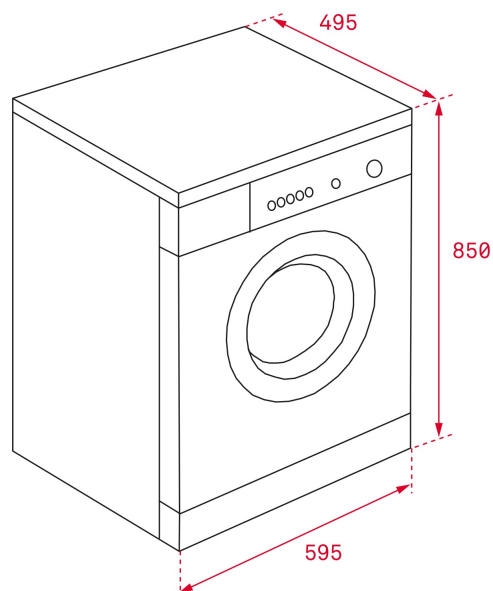


TEKA

TKD 1270 (EXP)

FEATURES

Free standing washing machine
Washing capacity: 7 Kg
16 washing programs
Maximum spin speed: 1200 rpm
Electronic control panel
LCD display
Fast program 15 minutes
My Cycle program
Special Programs wool and baby care
Delay timer 1-24h
Balance control system
Locking system in case of lack of water or electricity
Foam control system
32 cm wide porthole
/B



DIMENSIONS

Product height (mm): 850

Product width (mm): 595

Product depth (mm): 495

Product length (mm):

Net weight (Kg): 61

TECH SPECS

PRODUCT SHEET

Type of load: Front

Type of installation: Free standing

Washing capacity (Kgs): 7

Energy Efficiency Class: A+++

Spinning efficiency: B

Energy consumption (kWh/year): 175

Water consumption (litres/year): 10000

Maximum spinning speed (RPM): 1200

Certificates: CE + Reach + ERP

POWER SUPPLY

Frequency (Hz): 50

Power rate (V): 220-240

Maximum Nominal Power (W): 2050

Nominal power motor (W): 450

Power of heating element (W): 1800

PARTICULAR CHARACTERISTICS

Stainless Steel Drum: Yes

Glass door diameter (cms): 32

Number of programs: 16

CONTROL INDICATOR LIGHTS

SPECIAL FUNCTIONS

EQUIPMENT

PRODUCT INFORMATION SHEET (UE) 2019/2014

Number Of Washing Temperatures: 6
Control panel: ELECTRONIC
Electronic washing management: Yes
Child lock: Yes
Auto lock door: Yes
Cancel spin cycle button: Yes
Fingerprint proof stainless steel: Yes

Selected program indicator: Yes
Remaining time: Yes
Extra rinse indicator: Yes

Fast program: Yes
Fast program (minutes): 15
Economic program: Yes
Intense program: Yes
Delayed Timer (h): 1-24
Extra rinse: Yes
Delicate fabrics: Yes
Quick Wash: Yes

Adjustable Feet Back: Yes
Adjustable feet front: Yes

Supplier's name or trade mark :
Supplier's address :
Model identifier :

General product parameters

Rated capacity for the eco 40-60 programme (Kg) :

Dimensions (cm)

Height :

Width :

Depth:

Consumption and efficiency

Energy Efficiency Index (a):

Energy efficiency class (a):

Washing efficiency index (a):

Rinsing effectiveness (g/kg) (a):

Energy consumption in kWh per cycle, based on the eco 40-60 programme. Actual energy consumption will depend on how the appliance is used.:

Water consumption in litre per cycle, based on the eco 40-60 programme. Actual water consumption will depend on how the appliance is used and on the hardness of the water.:

Maximum temperature inside the treated textile (a) (°C)

Rated capacity:

Half capacity:

Quarter capacity:

Remaining moisture content (a) (%)

Rated capacity:

Half:

Quarter:

Spin speed (a) (rpm)

Rated capacity:
Half:
Quarter:
Spin-drying efficiency class (a):

Eco 40-60 programme duration (a) (h:min)

Rated capacity:
Half:
Quarter:

Other

Type:
Airborne acoustical noise emissions in the spinning phase (a) (dB(A) re 1 pW):
Airborne acoustical noise emission class (a) (spinning phase):
Off-mode (W):
Standby mode (W):
Delay start (W) (if applicable):
Networked standby (W) (if applicable):
Minimum duration of the guarantee offered by the supplier (b):
This product has been designed to release silver ions during the washing cycle YES/NO:

Additional information:

Weblink to the supplier's website, where the information in point 9 of Annex II to Commission Regulation (EU) 2019/2023 (1) (b) is found:
(a) for the eco 40-60 programme.
(b) changes to these items shall not be considered relevant for the purposes of paragraph 4 of Article 4 of Regulation (EU) 2017/1369.
(c) if the product database automatically generates the definitive content of this cell the supplier shall not enter these data.

TECHNICAL DOCUMENTATION (UE) 2019/2014

Rated capacity for the eco 40-60 programme, at 0,5 kg intervals (c):
Energy consumption of the eco 40-60 programme at rated capacity (EW,full):
Energy consumption of the eco 40-60 programme at half rated capacity (EW,1/2):
Energy consumption of the eco 40-60 programme at quarter rated capacity (EW,1/4):
Weighted energy consumption of the eco 40-60 programme (EW):
Standard energy consumption of the eco 40-60 programme (SCEW):
Energy Efficiency Index (EEIW):
Water consumption of the eco 40-60 programme at rated capacity (WW,full):
Water consumption of the eco 40-60 programme at half rated capacity (WW,1/2):
Water consumption of the eco 40-60 programme at quarter rated capacity (WW,1/4):
Weighted water consumption (WW):
Washing efficiency index of the eco 40-60 programme at rated capacity (Iw):
Washing efficiency index of the eco 40-60 programme at half rated capacity (Iw):
Washing efficiency index of the eco 40-60 programme at quarter rated capacity (Iw):
Rinsing effectiveness of the eco 40-60 programme at rated capacity (IR):
Rinsing effectiveness of the eco 40-60 programme at half rated capacity (IR):
Rinsing effectiveness of the eco 40-60 programme at quarter

rated capacity (IR):

Programme duration of the eco 40-60 programme at rated capacity (tw):

Programme duration of the eco 40-60 programme at half rated capacity (tw):

Programme duration of the eco 40-60 programme at quarter rated capacity (tw):

Temperature reached for minimum 5 min inside the load during eco 40-60 programme at rated capacity (T):

Temperature reached for minimum 5 min inside the load during eco 40-60 programme at half rated capacity (T):

Temperature reached for minimum 5 min inside the load during eco 40-60 programme at quarter rated capacity (T):

Spin speed in the spinning phase of the eco 40-60 programme at rated capacity (S):

Spin speed in the spinning phase of the eco 40-60 programme at half rated capacity (S):

Spin speed in the spinning phase of the eco 40-60 programme at quarter rated capacity (S):

Remaining moisture content for the eco 40-60 programme at rated capacity (Dfull):

Remaining moisture content for the eco 40-60 programme at half rated capacity (D1/2):

Remaining moisture content for the eco 40-60 programme at quarter rated capacity (D1/4):

Weighted remaining moisture content (D):

Airborne acoustical noise emissions during eco 40-60 programme (spinning phase):

Power consumption in 'off mode' (Po):

Power consumption in 'standby mode' (Psm):

Does 'standby mode' include the display of information?

YES/NO:

Power consumption in 'standby mode' (Psm) in condition of networked standby (if applicable):

Power consumption in 'delay start' (Pds) (if applicable):

Additional information:

(c) where appropriate, the references of the harmonised standards applied;

(d) where appropriate, the other technical standards and specifications used;

(e) the details and the results of calculations performed in accordance with Annex IV;

(f) a list of all equivalent models including the model identifier.

