



# RLF 74925 A++ No Frost Side by Side Refrigerator in 179cm



On Holidays function



A Energy Class



Bar On Door



Fresh Box



Full No Frost



LED

**DESCRIPTION**

A++ No Frost Side by Side Refrigerator in 179cm

**LIFE STYLE**

Maestro

**COLOURS**

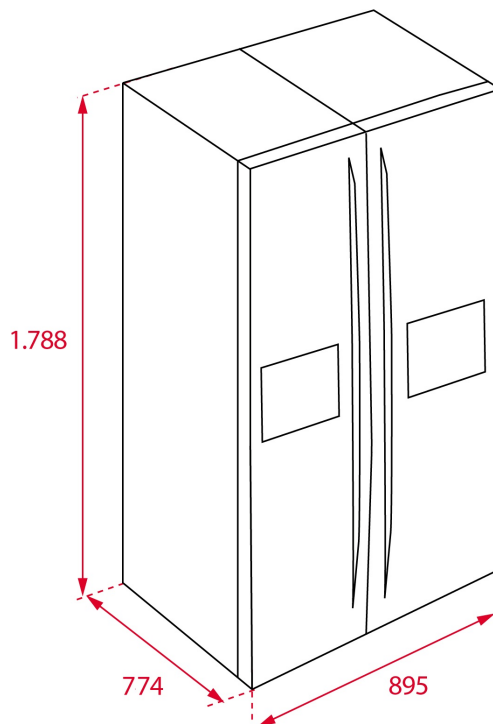


**REFERENCE**

REF. 113430010  
EAN. 8434778003895

**FEATURES**

Side by Side refrigerator  
No Frost Total cold  
Electronic display with freezer and refrigerator temperature control and indicator  
Bar on door system  
Eco function  
On holidays function  
Fast Freeze / Quick Cool function  
2 FreshBox drawers  
7 safety glass shelves with adjustable height  
LED illumination  
Safety lock for children  
8 door balconies  
External metal handle  
Back wheels to move the appliance easily  
Adjustable feet (front/rear)  
Energy class: A++  
Climate class: N/T  
Total gross capacity: 574 litres  
Net capacity: 334 +156 litres



## DIMENSIONS

Product height (mm): 1788

Product width (mm): 895

Product depth (mm): 745

Product length (mm):

Net weight (Kg): 108

## TECH SPECS

### FITTING MEASURES

Built-in niche (cm): NA

### PRODUCT SHEET

Cooling system: FULL NF

Energy Efficiency Class: A++

No Frost In Refrigerator Compartment: Yes

No Frost in chiller: Yes

No Frost in freezer compartment: Yes

Total gross capacity (litres): 574

Refrigerator compartment capacity (litres): 334

Chilling Compartment Capacity (litres): NA

Freezer compartment capacity (litres): 156

Freezer classification: 4

Freezing capacity: 14,0

Annual Consumption (kWh/year): 322

Temperature Rise Time (h): 7

Climate class: N/T

Noise level (dB): 43

Certificates: CE, TUV, GS

## POWER SUPPLY

**Frequency (Hz):** 50  
**Power rate (V):** 220-240  
**Power rate (W):** 188  
**Defrost element power (W):** 240  
**Energy consumption (kw/day):** 0,882  
**Cable Connection Length (cm):** 175

## PARTICULAR CHARACTERISITICS

**Type of installation:** Free standing  
**Number of bottles (wine cooler):** NA  
**Automatic defrosting in the refrigeration compartment:** Yes  
**Automatic defrosting in the freezer compartment:** Yes  
**Electronic adjustable thermostat:** Yes  
**Display on door:** Yes  
**Fingerprint proof door:** Yes  
**Antibacterial treatment:** NO  
**Freezing set button:** Yes  
**Cooling set button:** Yes  
**Lock function:** Yes  
**Fast freezing:** Yes  
**Fast Cooling Function:** Yes  
**On Holidays Function:** Yes  
**Inner light:** Yes  
**Type of inner light:** LED  
**External handle:** Yes

## CONTROL INDICATOR LIGHTS

**Operating light fridge:** Yes  
**Operating light freezer:** Yes  
**Freezer compartment temperature display:** Yes  
**Fast freezing indicator:** Yes  
**Acoustic alarm:** Yes

## EQUIPMENT

**Multipurpose compartment:** NO  
**Automatic water dispenser:** Yes  
**Automatic ice maker:** Yes  
**Ice off:** Yes  
**Ice cubes tray:** 2  
**Bottle rack type:** NO  
**Adjustable feet front:** Yes  
**Roller (rear):** Yes  
**Refrigerator adjustable shelves:** Yes  
**Vegetable drawers:** 2  
**Temperature and humidity regulation in drawers:** FRESH BOX



RLF 74925

ENERGY LABEL

The energy label for the TEKA RLF 74925 SS refrigerator is a vertical rectangular sticker with a blue border. At the top left is the European Union flag. To its right is the word "ENERG" in large blue letters, with "енергия · енергія" in smaller text below it. Further right are two circular icons: one with "Y IJA" and another with "IE IA". Below this header is the TEKA logo and the model number "RLF 74925 SS". The central part of the label features a vertical scale of energy efficiency classes from A+++ (green) at the top to D (red) at the bottom. A black arrow points to the A++ class. Below the scale, the energy consumption is listed as "322 kWh/annum" in a white box. At the bottom, three icons represent refrigerator volume (334 L), freezer volume (156 L), and noise level (45 dB). The label number "2010/1060" is printed at the very bottom.

ENERG  
енергия · енергія

Y IJA  
IE IA

TEKA RLF 74925 SS

A+++  
A++  
A+  
A  
B  
C  
D

322  
kWh/annum

ENERGIA · ЕНЕРГИЯ  
ENERĢIJA · ENERGIJA  
ENERGY · ENERGIE · ENERGI

1L  
334 L

156 L

45 dB

2010/1060