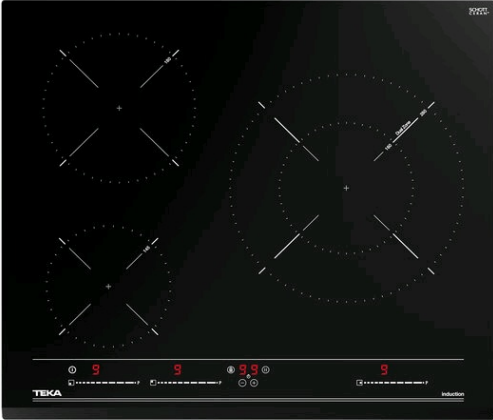




# IZC 63015 BK MSS 60cm Induction Hob with Touch control MultiSlider and 3 zones



MultiSlider



Autolock



Power



Power Plus



Easy  
installation

## DESCRIPTION

60cm Induction Hob with Touch control MultiSlider and 3 zones

## LIFE STYLE

Easy

## COLOURS



## REFERENCE

REF. 112520017  
EAN. 8434778012897

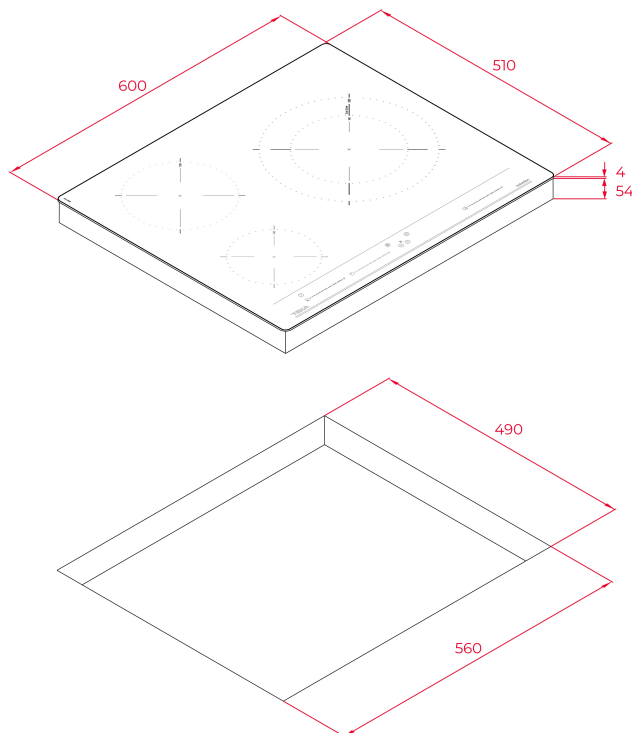


**TEKA**

**IZC 63015 BK MSS**

**FEATURES**

Induction hob  
Touch control MultiSlider  
Cooking timer  
3 cooking zones:  
1 induction Ø 160/280 mm  
1 induction Ø 180 mm  
1 induction Ø 145 mm  
Power Plus function  
Stop & Go function  
Residual heat indicators  
Fast-Click easy installation  
Maximum nominal power : 7.400 W



## DIMENSIONS

**Product height (mm):** 58  
**Product width (mm):** 600  
**Product depth (mm):** 510  
**Product length (mm):**  
**Net weight (Kg):** 9,79

## TECH SPECS

### FITTING MEASURES

**Built-in Width (mm):** 560  
**Built-in Depth (mm):** 490  
**Built-in Height (mm):** 54

### PARTICULAR CHARACTERISTICS

**Number of electric power levels:** 9  
**Power management function:** Yes

### ELECTRIC CONNECTION

**Frequency (Hz):** 50/60  
**Power rate (V):** 220-240  
**Cable Connection Length (cm):** 110  
**Maximum Nominal Power (W) (Electric hob):** 7200

### COOKING ZONES

**Cooking Zones:** 3  
**Left rear cooking zone - Diameter (mm):** 180  
**Left rear cooking zone - Type:** Single Zone  
**Left front cooking zone - Diameter (mm):** 145  
**Left front cooking zone - Type:** Single Zone

**Right center cooking zone - Diameter (mm):** 160/280

**Right center cooking zone - Type:** Double Zone

## **SECURITY SYSTEM**

**Residual heat indicator (Gas):** Yes

**Residual heat indicator (Electric hob):** Yes

**Automatic safety disconnection (Auto Lock) (Electric hob):** Yes

**Child lock:** Yes

## **FINISH**

**Surface finishing:** Front bevelled glass

**Surface type:** Ceramic Glass (4mm)

**Easy installation system:** Yes

## **ACCESSORIES**

**Junction Kit:** Optional

**Teppan Yaki:** Optional

