



**CNL 9815 PLUS** 90cm Pull-out Hood with ECOPOWER motor and and 5+1 speeds



LED



Stop Delay  
Timer

**DESCRIPTION**

90cm Pull-out Hood with ECOPOWER motor and and 5+1 speeds

**LIFE STYLE**

Maestro

**COLOURS**

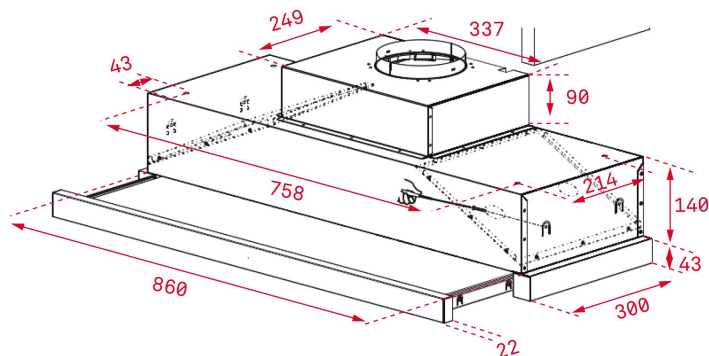


**REFERENCE**

REF. 40436860  
EAN. 8421152146262

**FEATURES**

Pull-out hood  
Electronic control  
5 speeds + 1 intensive  
Free Outlet exhaust capacity (m<sup>3</sup>/h): 734  
Intensive speed exhaust capacity (m<sup>3</sup>/h): 730  
Max speed exhaust capacity (m<sup>3</sup>/h): 555  
Min speed exhaust capacity (m<sup>3</sup>/h): 295  
Intensive speed sound level (dBA): 70  
Max speed sound level (dBA): 65  
Min speed sound level (dBA): 53  
1 LED lamps  
4 Stainless Steel filters  
Stop delay timer  
Fingerprint proof front panel  
Exchangeable Front Panel  
Anti-return valve included  
Outlet reduction included  
Optional Charcoal Filter: D1C



## DIMENSIONS

**Product height (mm):** 274

**Product width (mm):** 900

**Product depth (mm):** 300/490

**Product length (mm):**

**Net weight (Kg):** 11,85

## TECH SPECS

### PARTICULAR CHARACTERISTICS

**Certificates:** CE; CB; Rohs  
**Ø Outlet (mm):** 150  
**Type of inner light:** LED  
**Inside light Consumption (W):** 12  
**Plug type:** European plug  
**Power rate (V):** 230  
**Frequency (Hz):** 50  
**Total hood power (W):** 277  
**Number of motors:** 1  
**Motor power (W):** 265

### ACCESSORIES

**Anti Return valve:** Yes  
**Outlet reduction:** Yes  
**Outlet extension:** No  
**Optional Charcoal Filter:** D1C  
**Conventional recirculation kit (opt) - w/tube cover:** No

### MODELS

**Number of filters:** 4  
**Filter description:** Stainless Steel filters MMX

**Control panel:** Electronic soft buttons

**Stop delay timer:** Yes

**Automatic lighting:** Yes

**Number of speeds:** 5+1

**Fingerprint proof front panel:** Yes



CNL 9815 PLUS

ENERGY LABEL

