



**D 985** 90cm Pyramidal Decorative Hood with electronic controls and ECOPOWER motor



LED



Stop Delay  
Timer

**DESCRIPTION**

90cm Pyramidal Decorative Hood with electronic controls and ECOPOWER motor

**LIFE STYLE**

Total

**COLOURS**

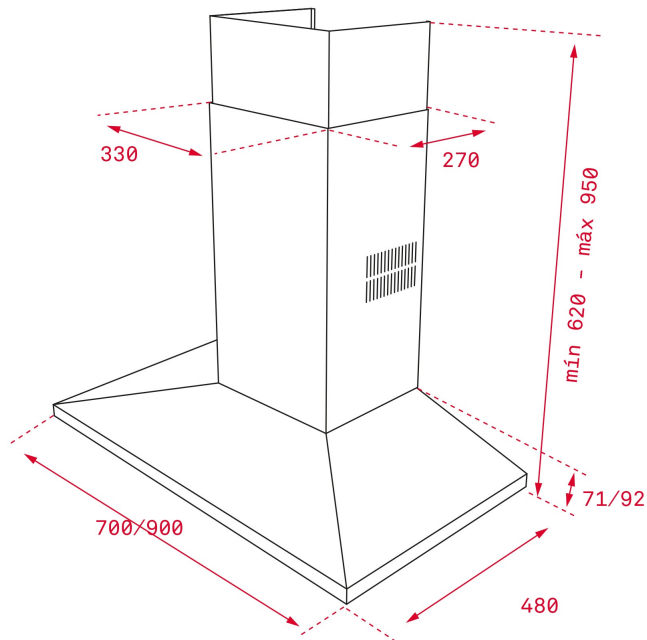


**REFERENCE**

REF. 40437010  
EAN. 8421152145654

**FEATURES**

Decorative pyramidal hood  
Illuminated push buttons control  
EcoPower motor  
3 speeds + 1 intensive  
Free Outlet exhaust capacity (m<sup>3</sup>/h): 792  
Intensive speed exhaust capacity (m<sup>3</sup>/h): 760  
Max speed exhaust capacity (m<sup>3</sup>/h): 597  
Min speed exhaust capacity (m<sup>3</sup>/h): 303  
Intensive speed sound level (dBA): 73  
Max speed sound level (dBA): 68  
Min speed sound level (dBA): 54  
1 LED lamp  
3 Stainless Steel filters  
Stop delay timer  
Operating pilot light  
Anti-return valve included  
Outlet reduction included



## DIMENSIONS

**Product height (mm):** 700-1100

**Product width (mm):** 900

**Product depth (mm):** 480

**Product length (mm):**

**Net weight (Kg):** 14,37

## TECH SPECS

### PARTICULAR CHARACTERISTICS

**Certificates:** CE; CB; Rohs  
**Ø Outlet (mm):** 150  
**Type of inner light:** LED  
**Inside light Consumption (W):** 12  
**Plug type:** Schuko plug  
**Power rate (V):** 230  
**Frequency (Hz):** 50  
**Total hood power (W):** 292  
**Number of motors:** 1  
**Motor power (W):** 280  
**Air flow (Qmin) m<sup>3</sup>/h:** 303  
**Air flow (Qmax):** 597  
**Air flow (Qboost):** 760

### ACCESSORIES

**Anti Return valve:** Yes  
**Outlet reduction:** Yes  
**Outlet extension:** No  
**Optional Charcoal Filter:** C1RTK  
**Regenerative charcoal filter:** R1RTK  
**Conventional recirculation kit (opt) - w/tube cover:** CFH 15200

L3C

**Regenerative recirculation kit (opt) - w/tube cover:** RFH 15200

L3C

## **MODELS**

**Number of filters:** 3

**Filter description:** Stainless Steel filters MMX

**Control panel:** Electronic soft buttons

**Stop delay timer:** Yes

**Number of speeds:** 3+1



D 985

ENERGY LABEL

