



**GFH 55** 55cm Built-in Hood with push buttons control panel and 2 aluminum filters



LED

**DESCRIPTION**

55cm Built-in Hood with push buttons control panel and 2 aluminum filters

**LIFE STYLE**

Total

**COLOURS**



**REFERENCE**

REF. 40446700  
EAN. 8421152036396

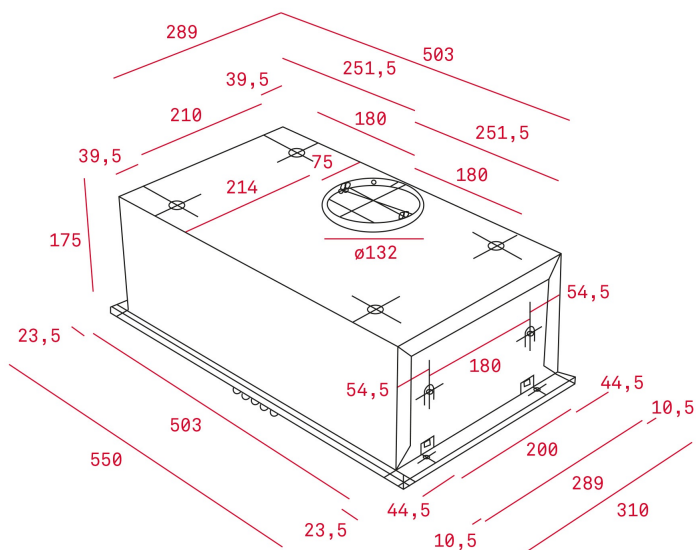


**TEKA**

**GFH 55**

**FEATURES**

Built-in hood  
Push buttons control  
3 speeds  
Free Outlet exhaust capacity (m<sup>3</sup>/h): 367  
Max speed exhaust capacity (m<sup>3</sup>/h): 223  
Min speed exhaust capacity (m<sup>3</sup>/h): 329  
Max speed sound level (dBA): 52  
Min speed sound level (dBA): 42  
2 LED lamps  
2 aluminium filters  
Anti-return valve included  
Optional Charcoal Filter: CNL 1C



## DIMENSIONS

**Product height (mm):** 175  
**Product width (mm):** 550  
**Product depth (mm):** 310  
**Product length (mm):**  
**Net weight (Kg):** 5

## TECH SPECS

### PARTICULAR CHARACTERISITICS

**Certificates:** CE, CB, Rohs  
**Ø Outlet (mm):** 120  
**Type of inner light:** LED  
**Inside light Consumption (W):** 1,5  
**Plug type:** European plug  
**Cable Connection Length (cm):** 150  
**Power rate (V):** 230  
**Frequency (Hz):** 50  
**Total hood power (W):** 134  
**Number of motors:** 1  
**Motor power (W):** 130

### ACCESSORIES

**Anti Return valve:** Yes  
**Outlet extension:** no  
**Optional Charcoal Filter:** CNL 1C

### MODELS

**Number of filters:** 2  
**Filter description:** Aluminium  
**Control panel:** Mechanical push buttons

Number of speeds: 3



GFH 55

ENERGY LABEL

