



**CC 485** 40 cm Tubular Island Hood Design with Touch Control and COPOWER motor



LED



Stop Delay  
Timer

**DESCRIPTION**

40 cm Tubular Island Hood Design with Touch Control and COPOWER motor

**LIFE STYLE**

Maestro

**COLOURS**

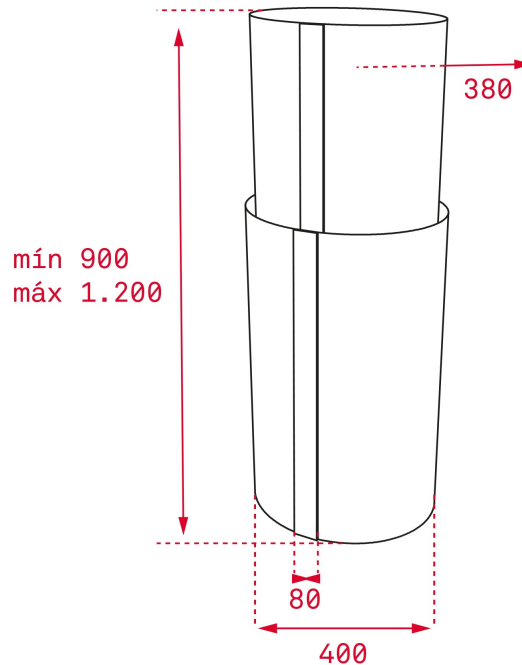


**REFERENCE**

REF. 40480330  
EAN. 8421152145869

**FEATURES**

Decorative tubular island hood  
Electronic control with display  
3 speeds + 1 intensive  
Free Outlet exhaust capacity (m<sup>3</sup>/h):920  
Intensive speed exhaust capacity (m<sup>3</sup>/h):771  
Max speed exhaust capacity (m<sup>3</sup>/h):525  
Min speed exhaust capacity (m<sup>3</sup>/h): 305  
Intensive speed sound level (dBA): 78  
Max speed sound level (dBA): 72  
Min speed sound level (dBA): 50  
2 LEDS lamps  
1 Stainless Steel filter  
Stop delay timer  
Filter saturation indicator  
Operating pilot light  
Anti-return valve included  
Outlet reduction included  
Optional recirculation kit with tube cover installation: SET 1/11  
Optional Charcoal Filter: D4C



## DIMENSIONS

**Product height (mm):** 900-1200

**Product width (mm):** 400

**Product depth (mm):** 400

**Product length (mm):**

**Net weight (Kg):** 21,5

## TECH SPECS

### PARTICULAR CHARACTERISTICS

**Certificates:** CE; CB  
**Ø Outlet (mm):** 150  
**Type of inner light:** LED  
**Inside light Consumption (W):** 3  
**Plug type:** European plug  
**Power rate (V):** 220240  
**Frequency (Hz):** 50  
**Total hood power (W):** 286  
**Number of motors:** 1  
**Motor power (W):** 280  
**Air flow (Qmin) m<sup>3</sup>/h:** 305  
**Air flow (Qmax):** 525  
**Air flow (Qboost):** 771

### ACCESSORIES

**Anti Return valve:** Yes  
**Outlet reduction:** Yes  
**Optional Charcoal Filter:** D4C  
**Conventional recirculation kit (opt) - w/tube cover:** SET 1/11

## MODELS

**Number of filters:** 1

**Filter description:** Stainless Steel filters

**Control panel:** Touch control

**Stop delay timer:** Yes

**Filter saturation indicator:** Yes

**Number of speeds:** 3+1



CC 485

ENERGY LABEL

