



**DSH 785** 70cm Decorative Hood with Touch Control display and ECOPOWER motor



LED



Stop Delay  
Timer

**DESCRIPTION**

70cm Decorative Hood with Touch Control display and ECOPOWER motor

**LIFE STYLE**

Total

**COLOURS**



**REFERENCE**

REF. 40484201  
EAN. 8421152157343

**FEATURES**

Decorative horizontal hood  
Electronic control with display  
3 speeds + 1 intensive  
Free Outlet exhaust capacity (m<sup>3</sup>/h): 920  
Intensive speed exhaust capacity (m<sup>3</sup>/h): 740  
Max speed exhaust capacity (m<sup>3</sup>/h): 586  
Min speed exhaust capacity (m<sup>3</sup>/h): 306  
Intensive speed sound level (dBA): 60  
Max speed sound level (dBA): 55  
Min speed sound level (dBA): 42  
1 LED lamp  
2 Stainless Steel filters  
Stop delay timer  
Filer saturation indicator  
Operating pilot light  
Anti-return valve included  
Outlet reduction included

## DIMENSIONS

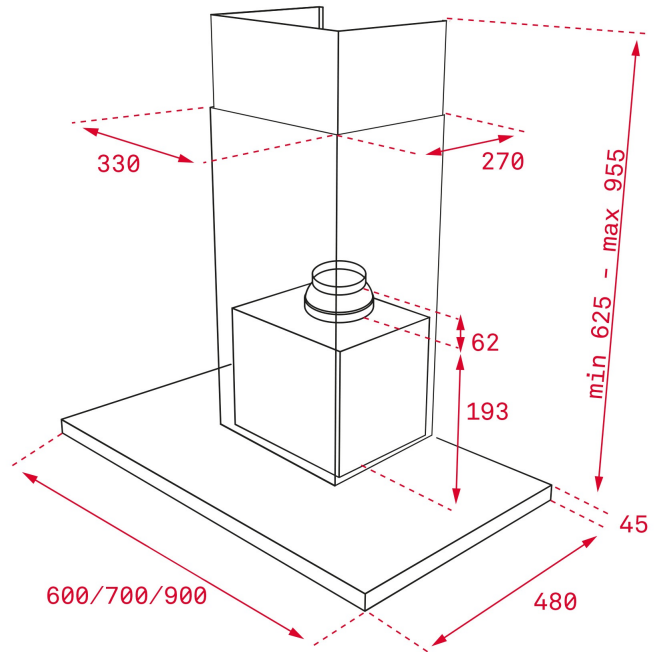
**Product height (mm):** 670-1000

**Product width (mm):** 700

**Product depth (mm):** 480

**Product length (mm):**

**Net weight (Kg):** 14,02



## TECH SPECS

### PARTICULAR CHARACTERISTICS

**Certificates:** CE; CB; Rohs  
**Ø Outlet (mm):** 150  
**Type of inner light:** LED  
**Inside light Consumption (W):** 6  
**Plug type:** Schuko plug  
**Power rate (V):** 220240  
**Frequency (Hz):** 50  
**Total hood power (W):** 286  
**Number of motors:** 1  
**Motor power (W):** 280  
**Air flow (Qmin) m<sup>3</sup>/h:** 305  
**Air flow (Qmax):** 586  
**Air flow (Qboost):** 735

### ACCESSORIES

**Anti Return valve:** Yes  
**Outlet reduction:** Yes  
**Outlet extension:** No  
**Optional Charcoal Filter:** C1RTK  
**Regenerative charcoal filter:** R1RTK  
**Conventional recirculation kit (opt) - w/tube cover:** CFH 15200

L3C

**Regenerative recirculation kit (opt) - w/tube cover:** RFH 15200

L3C

## **MODELS**

**Number of filters:** 2

**Filter description:** Stainless Steel filters

**Control panel:** Electronic soft buttons with display

**Stop delay timer:** Yes

**Filter saturation indicator:** Yes

**Number of speeds:** 3+1



DSH 785

ENERGY LABEL

The energy label for the TEKA DSH 685/785\* model includes the following information:

- Brand and Model:** TEKA DSH 685/785\*
- Energy Efficiency Class:** A (indicated by a black arrow pointing to the 'A' level on the scale)
- Energy Consumption:** 55 kWh/annum
- Energy Efficiency Scale:** A+, A, B, C, D, E, F (represented by colored bars)
- Additional Metrics:** Four icons representing different performance areas, each with a scale from A to F:
  - Icon 1: Fan/Blower (Scale: A, B, C, D, E, F)
  - Icon 2: Light bulb (Scale: A, B, C, D, E, F)
  - Icon 3: Water droplets (Scale: A, B, C, D, E, F)
  - Icon 4: Sound waves (Scale: 68 dB)
- Regulatory Information:** 65/2014 and 1130189-0