



**DH2 Island 985** 90cm A Decorative Hood with Touch Control display and ECOPOWER motor



LED



Stop Delay  
Timer

**DESCRIPTION**

90cm A Decorative Hood with Touch Control display and ECOPOWER motor

**LIFE STYLE**

Total

**COLOURS**

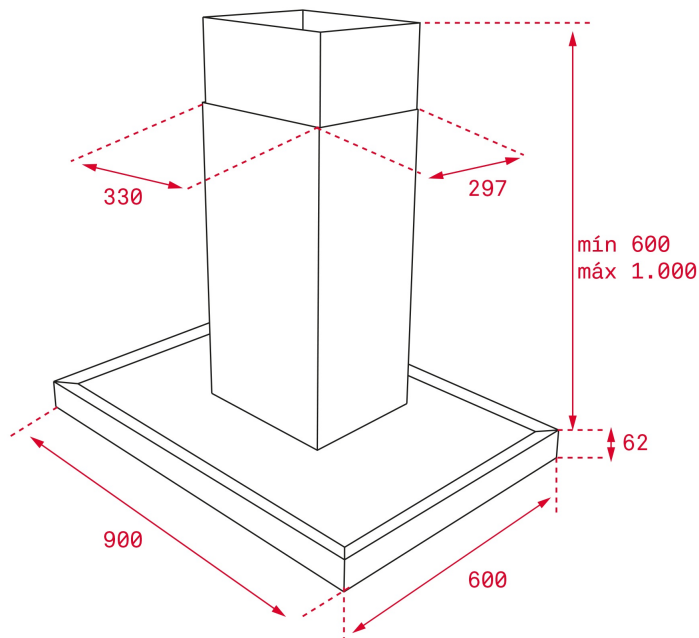


**REFERENCE**

REF. 40484640  
EAN. 8421152145715

**FEATURES**

Decorative horizontal island hood  
Electronic control with display  
3 speeds + 1 intensive  
Free Outlet exhaust capacity (m<sup>3</sup>/h): 920  
Intensive speed exhaust capacity (m<sup>3</sup>/h): 796  
Max speed exhaust capacity (m<sup>3</sup>/h): 605  
Min speed exhaust capacity (m<sup>3</sup>/h): 311  
Intensive speed sound level (dBA): 71  
Max speed sound level (dBA): 66  
Min speed sound level (dBA): 52  
4 LED lamps  
2 Stainless Steel filters  
Stop delay timer  
Filter saturation indicator  
Easy-Clean inside panel  
Operating pilot light  
Anti-return valve included  
Outlet reduction included  
Optional recirculation kit with tube cover installation: SET 1/T1  
Optional Charcoal Filter: D4C



## DIMENSIONS

**Product height (mm):** 817 /  
1117 + 62  
**Product width (mm):** 900  
**Product depth (mm):** 600  
**Product length (mm):**  
**Net weight (Kg):** 36,01

## TECH SPECS

### PARTICULAR CHARACTERISITICS

**Certificates:** CE; CB; Rohs  
**Ø Outlet (mm):** 150  
**Type of inner light:** LED  
**Inside light Consumption (W):** 3  
**Plug type:** European plug  
**Power rate (V):** 220-240  
**Frequency (Hz):** 50  
**Total hood power (W):** 292  
**Number of motors:** 1  
**Motor power (W):** 280  
**Air flow (Qmin) m3/h:** 311  
**Air flow (Qmax):** 605  
**Air flow (Qboost):** 796

### ACCESSORIES

**Anti Return valve:** Yes  
**Outlet reduction:** Yes  
**Optional Charcoal Filter:** D4C  
**Conventional recirculation kit (opt) - w/tube cover:** SET 1/T1

## MODELS

**Number of filters:** 3

**Filter description:** Stainless Steel filters

**Control panel:** Electronic soft buttons with display

**Stop delay timer:** Yes

**Filter saturation indicator:** Yes

**Easy-clean inside panel:** Yes

**Number of speeds:** 3+1



DH2 Island 985

ENERGY LABEL

